

BarnDoorTrack



BarnDoorTrack

The CS BarnDoorTrack is suitable for surface sliding applications where there is enough strength in the wall to side mount a track above an opening.

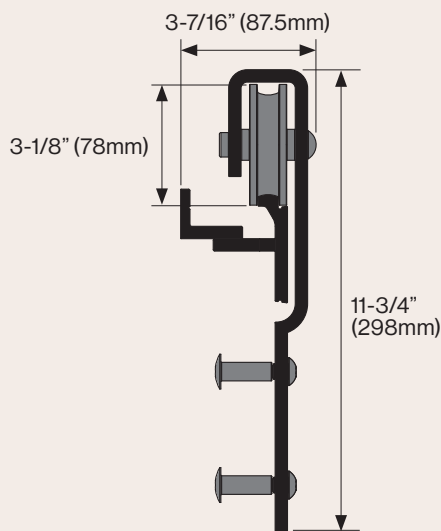
It is designed to offer adjustability of the door out from the wall. This allows for clearance with baseboards and casings without an unsightly head spacer.

Installation is quick and easy as the track bracket is supplied with pre-machined fixing slots. The track is pre-finished black anodized.

Features

- Track is high-quality, heavy duty extruded aluminum.
- No exposed fasteners gives a clean look.
- Ultra smooth running acetal wheels.
- Anti-jump system ensures wheels cannot jump off the track.

Product Specifications



Technical Information

Track Finish	Black anodized
Maximum Weight Per Track	650lb (300kg)
Maximum Door Weight	400lb* (180kg)
Maximum Door Weight (SofStop)	264lb (120kg)
Minimum Door Thickness	1-1/4" (32mm)

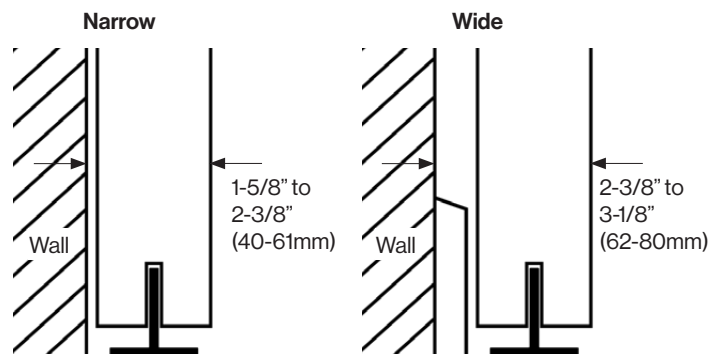
*Doors over 400 lb require extra hangers or a customised solution

How to Specify

1. Determine Door Width
2. Specify track length
Available in 6, 7, 8, 9, 10, 12, 13, 14, 15, 16, 17, 18 and 19' pre-cut lengths
3. Determine overall thickness (door + gap + moulding) and choose a bracket
 - a. Narrow option: 1-5/8" to 2-3/8" (40 - 61mm)
 - b. Wide option: 2-3/8" to 3-1/8" (62 - 80mm)
4. Select Hanger Pack (one pack per door)
(Includes carriages, mounting plates, T-Guide, screws, and an adjusting wrench)
 - a. Standard operation
Standard CS Barn Door Hangers & Stops Pack
 - b. SofStop
Two SofStop Single Packs

Installation Notes

The stud wall must be level and solid enough to support the door weight. This track is supplied with coach screws suitable for use with timber framing. For fixing to concrete walls, masonry anchors must be used.



© All copyright and other property in this document is reserved by Cavity Sliders USA Inc. Details and specifications are subject to change without notice. Whilst all care is taken to ensure the accuracy of all information, no responsibility will be accepted for any errors or omissions. 12/2024

CavitySliders.com



sales@cavitysliders.com

(888) 466-0030





BarnDoorTrack Product Codes

Tracks

Item	Description	Length	Code
	Barn Door Track Pack (Includes track, fixing bracket and screw pack) Narrow	6ft	TSBS1830N
		7ft	TSBS2135N
		8ft	TSBS2440N
		9ft	TSBS2745N
		10ft	TSBS3050N
		12ft	TSBS3660N
	Barn Door Track Pack (Includes track, fixing bracket and screw pack) Wide	6ft	TSBS1830W
		7ft	TSBS2135W
		8ft	TSBS2440W
		9ft	TSBS2745W
		10ft	TSBS3050W
		12ft	TSBS3660W
		13ft	TSBS3962W
		14ft	TSBS4267W
		15ft	TSBS4572W
		16ft	TSBS4877W
		17ft	TSBS5182W
		18ft	TSBS5486W
		19ft	TSBS5791W

Carriage Packs

Item	Description	Code
	CS Barn Door Hangers & Stops Pack	TSBS001
	SofStop (264 lb) Single Pack for Barn Door Track	TSBS100

© All copyright and other property in this document is reserved by Cavity Sliders USA Inc. Details and specifications are subject to change without notice. Whilst all care is taken to ensure the accuracy of all information, no responsibility will be accepted for any errors or omissions. 12/2024

CavitySliders.com

sales@cavitysliders.com

(888) 466-0030



Specs and Instructions

