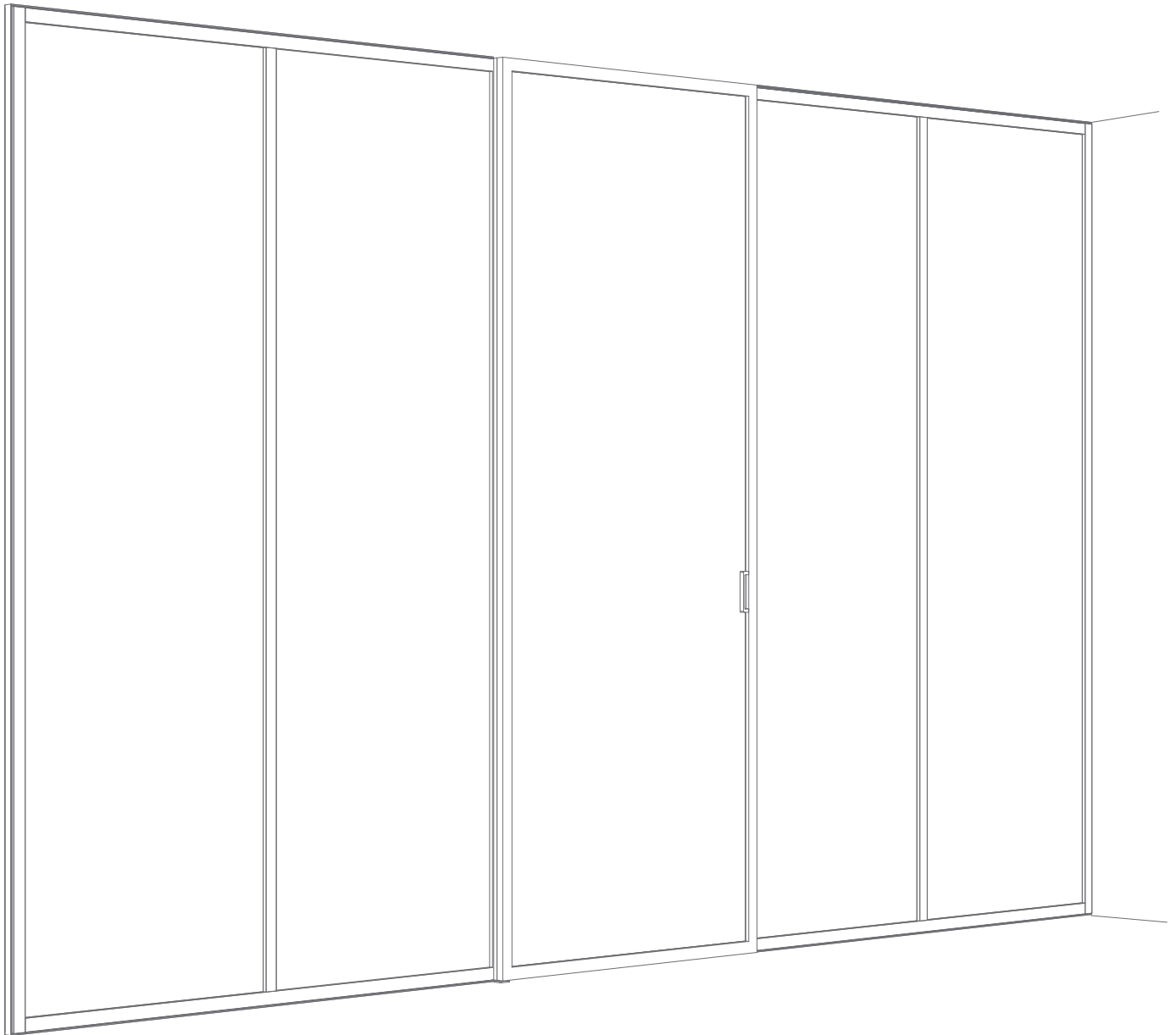
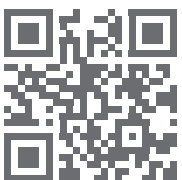


# DIVINA

SCHUIFDEUR / PORTE COULISSANTE / SLIDING DOOR  
SCHIEBETÜR / PUERTA CORREDIZA

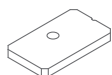


VIDEO





**C15**



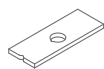
**C16.1**



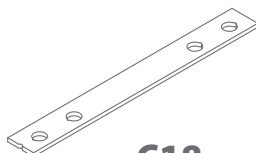
**C16.2**



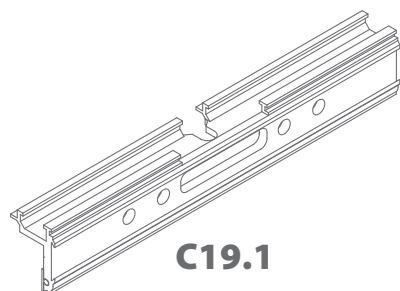
**C16.3**



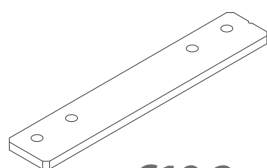
**C17**



**C18**



**C19.1**



**C19.2**



**C19.3**



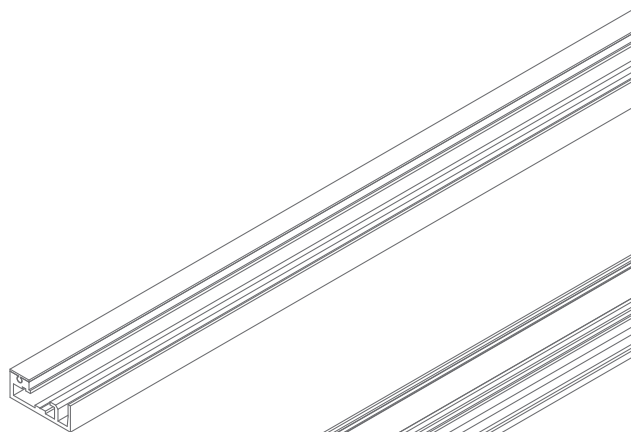
**C19.4**



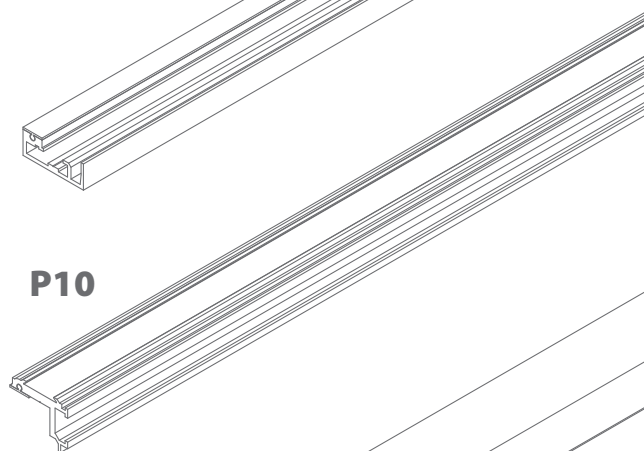
**C19.5**



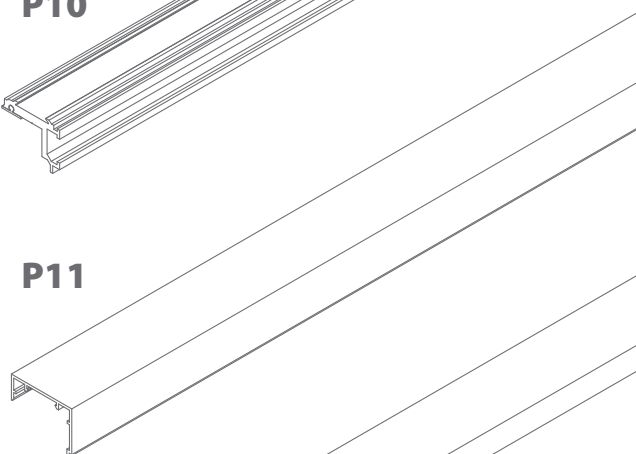
**C19.6**



**P10**



**P11**

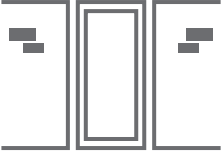


**P12**



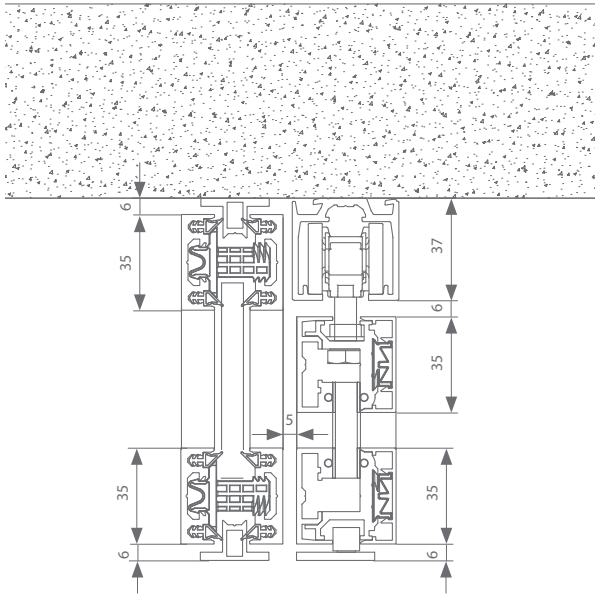
**P13**

|                                  |     |                 |     |
|----------------------------------|-----|-----------------|-----|
| JL0.11*.600.9                    | P10 | JL9.120.100.000 | C15 |
| JL0.12*.600.9                    | P11 | JL9.110.1       | C16 |
| JL0.18*.600                      | P12 | JL9.110.4       | C17 |
| JL0.19*.600                      | P13 | JL9.110.200.4   | C18 |
| AAA.20300000.00/ AAA.20320000.00 |     |                 | C19 |

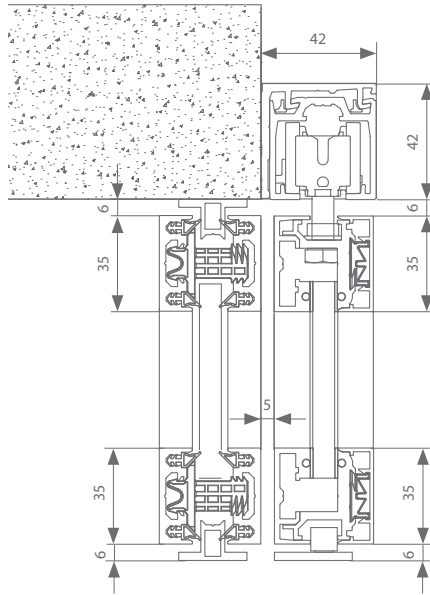


DOORSNEDE / VUE EN COUPE / VERTICAL CROSS SECTION /  
VERTIKALSCHNITT / SECCIÓN

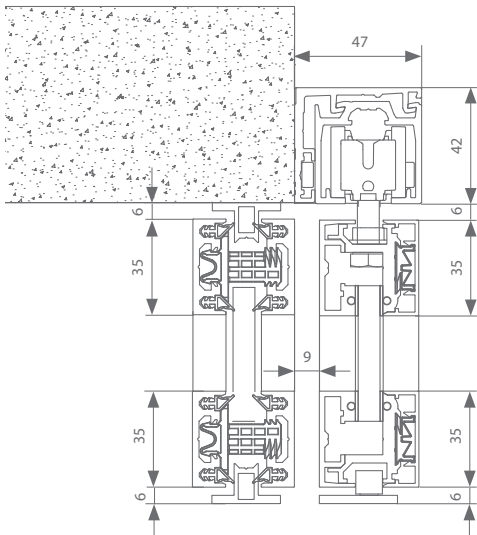
1A



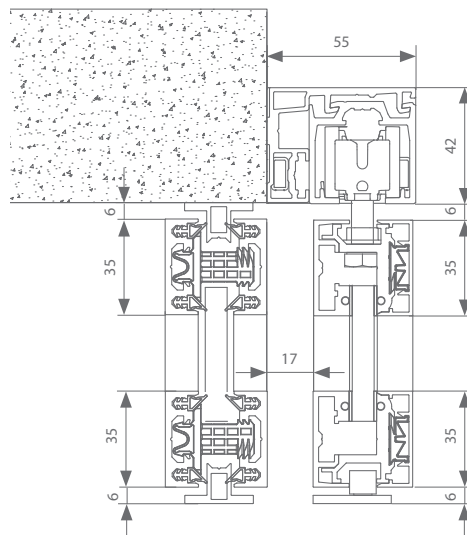
1B



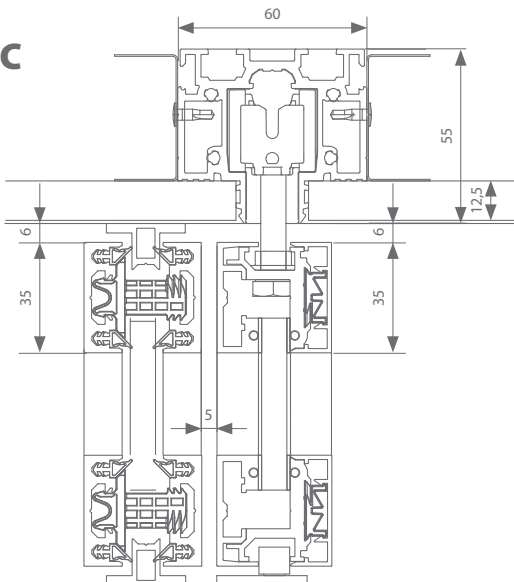
1B



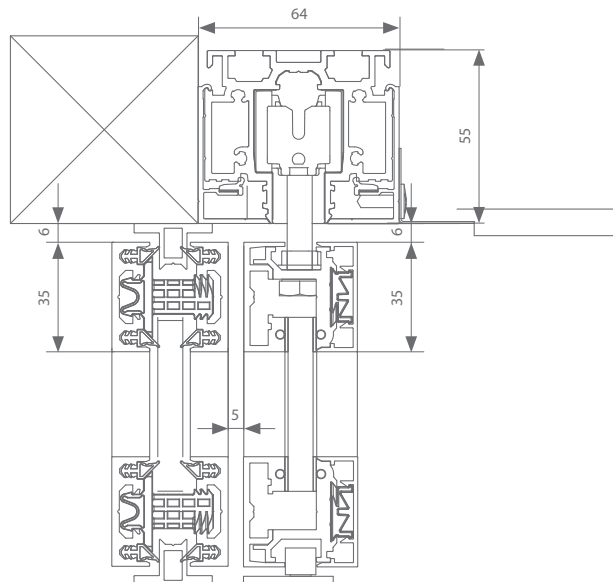
1B



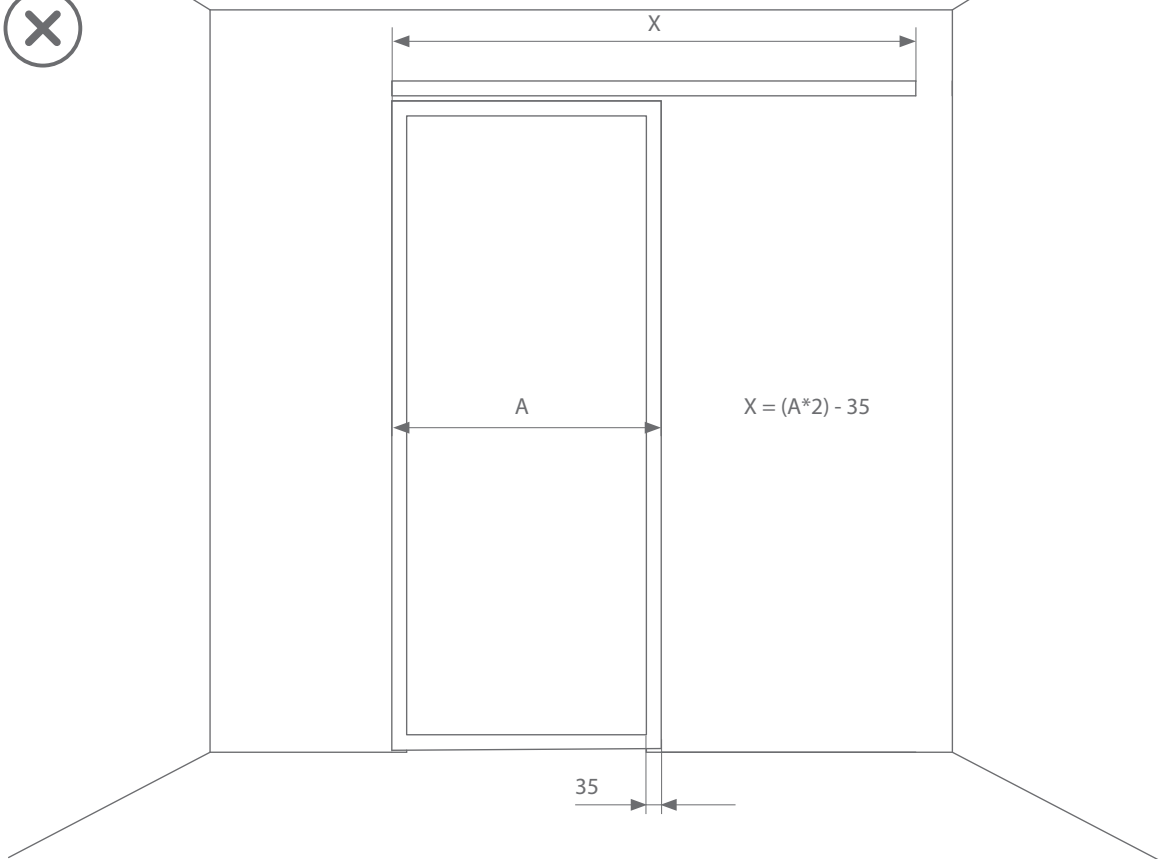
1C



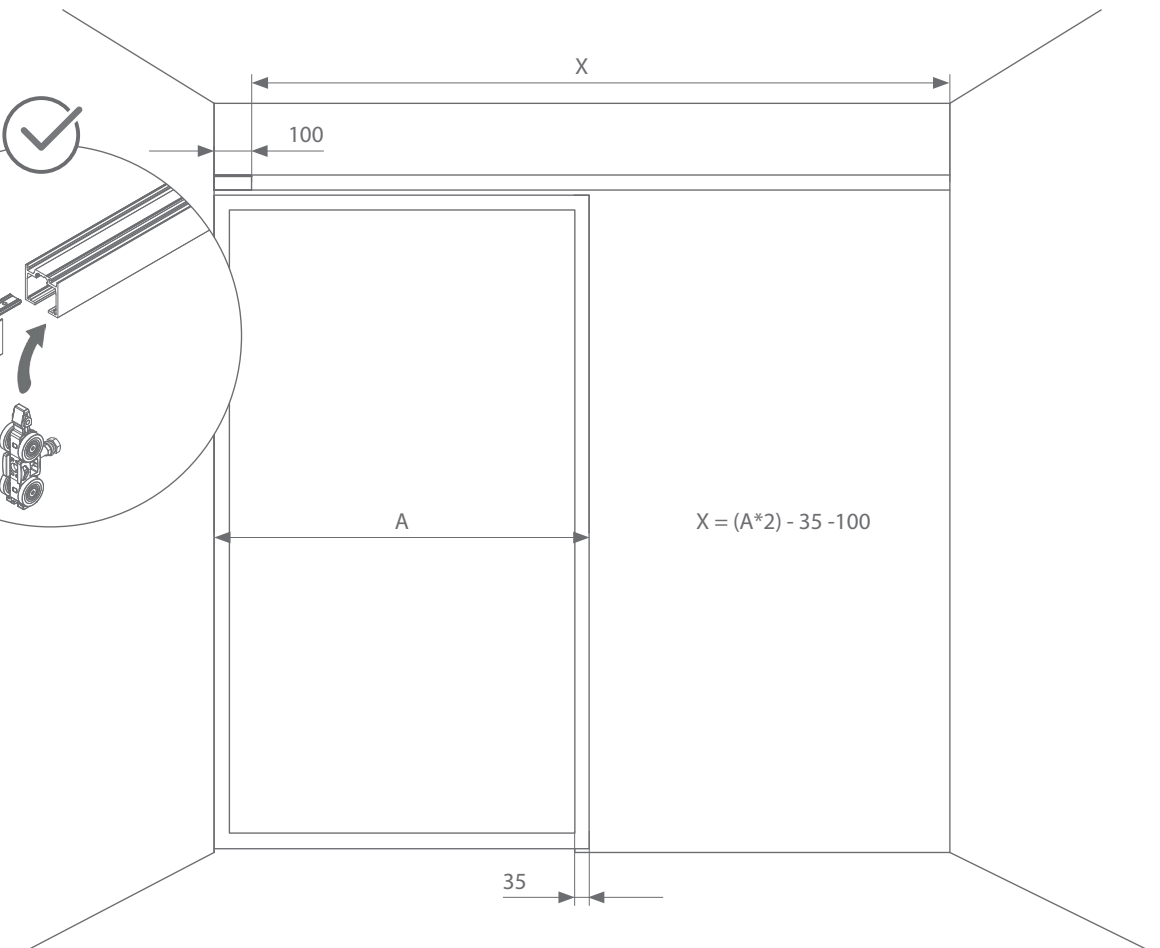
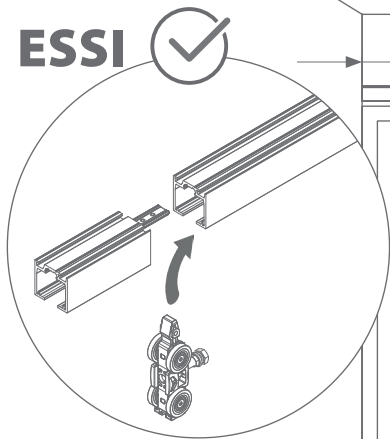
1D



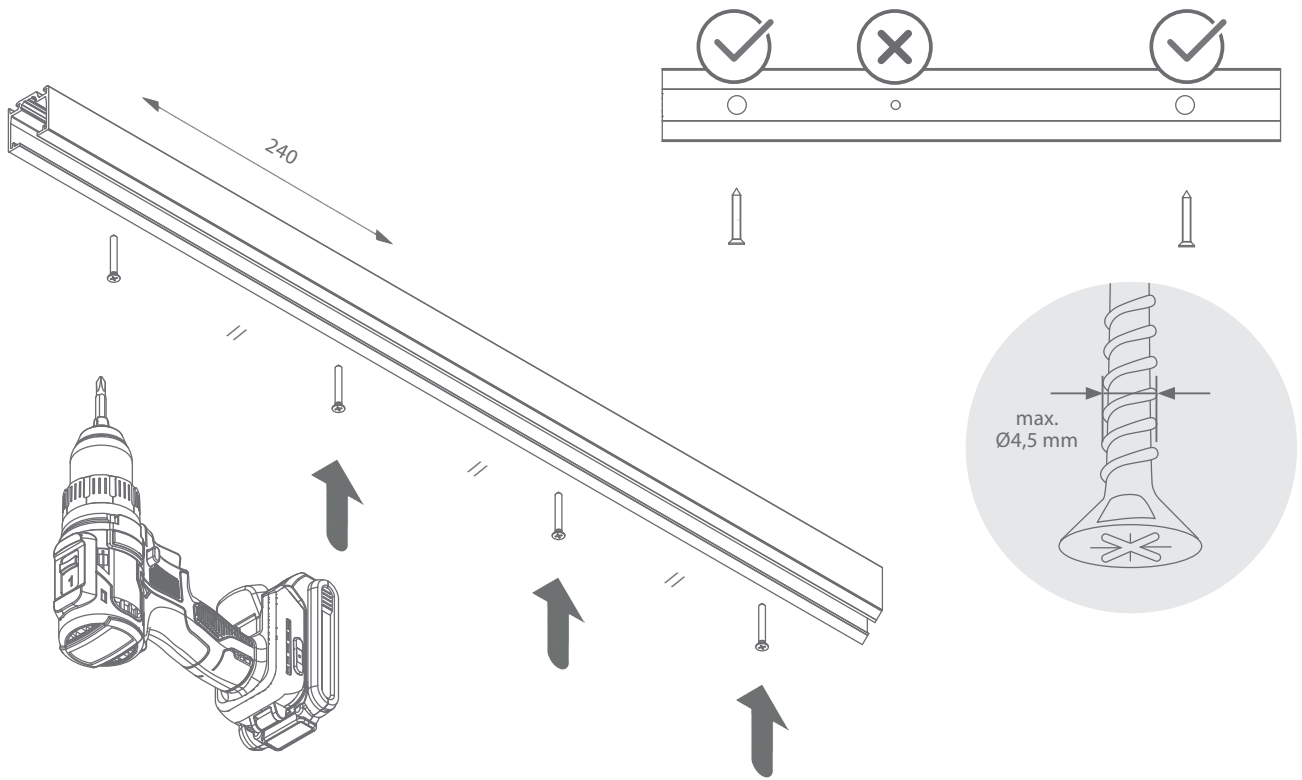
**ESSI** (X)



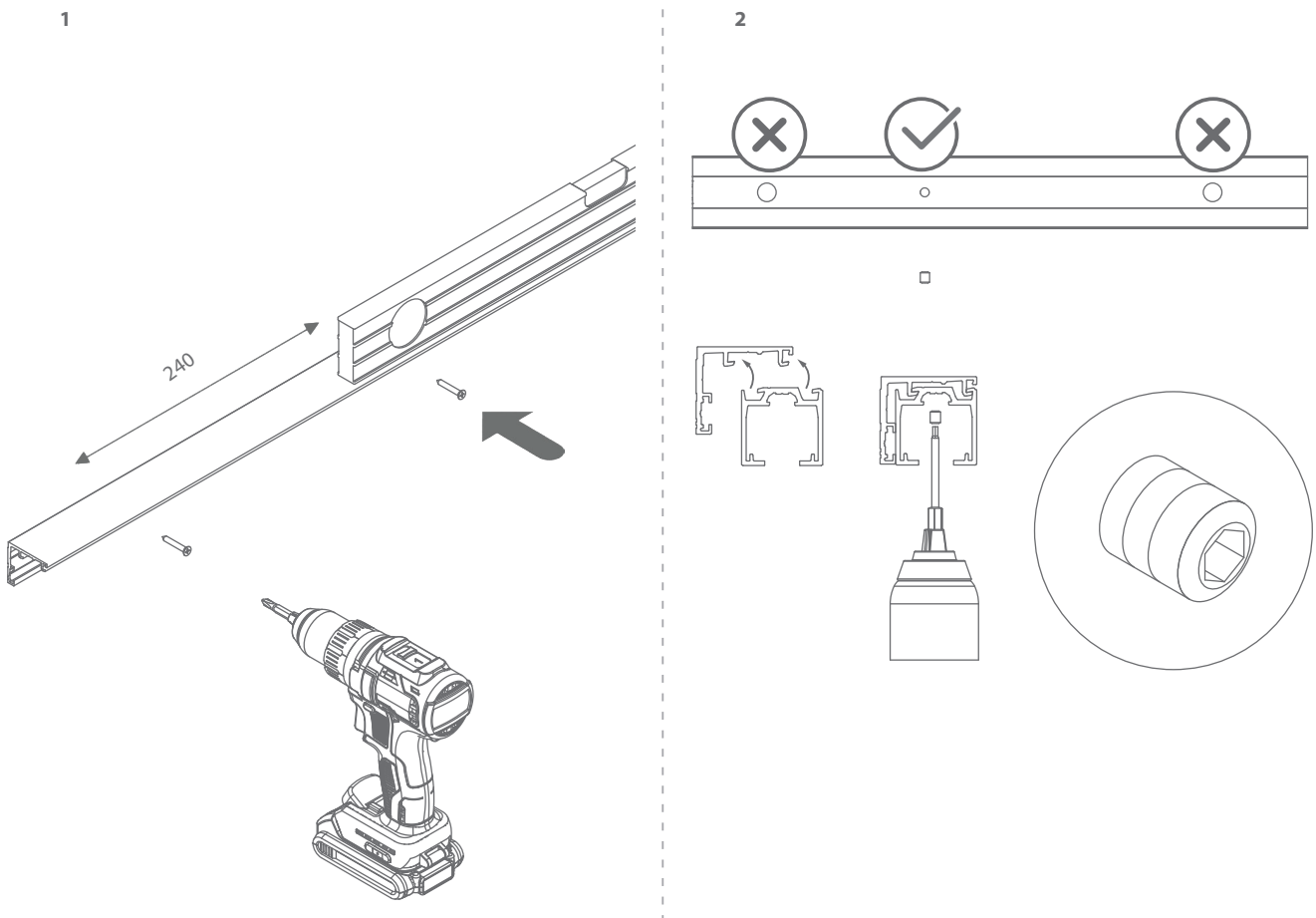
**ESSI** (✓)



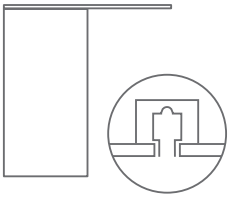
# 1A. PLAFOND / CEILING / DECKE / TECHO



# 1B. MUUR / MUR / WALL / WAND / PARED



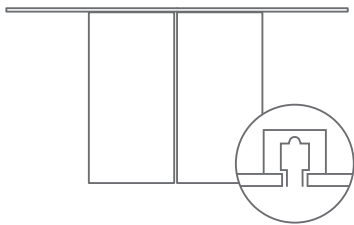
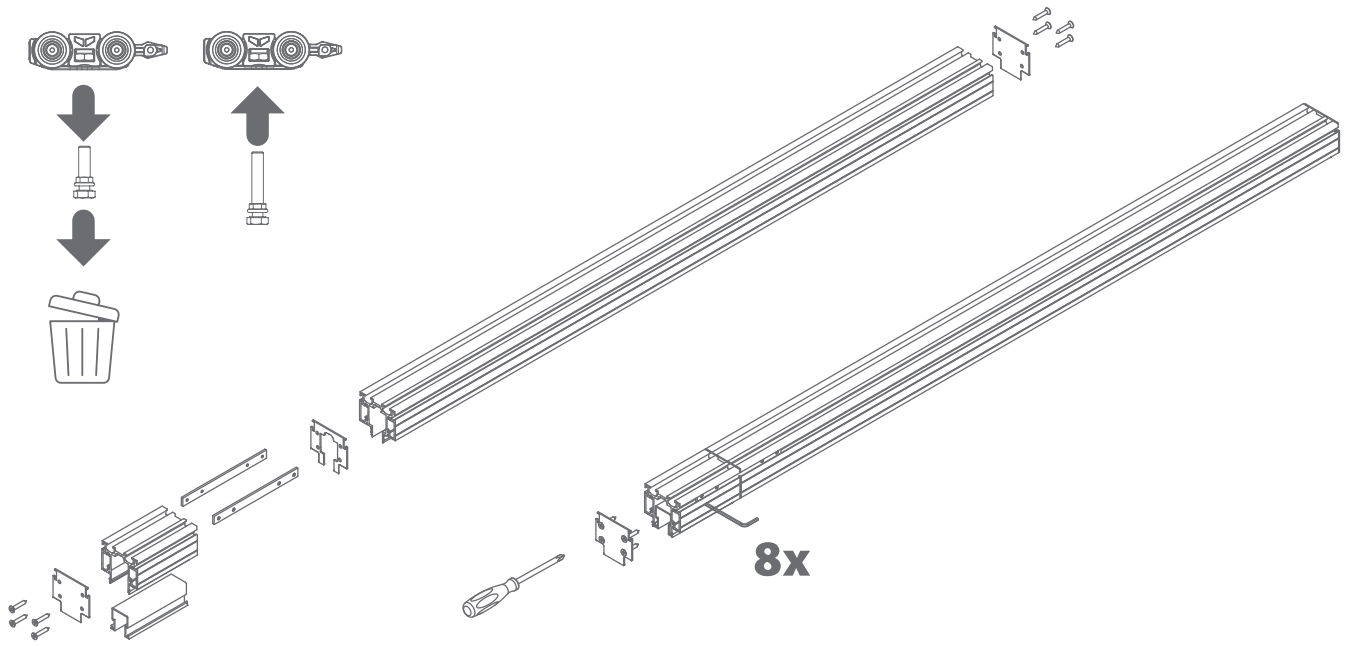
# 1C.



**2x**



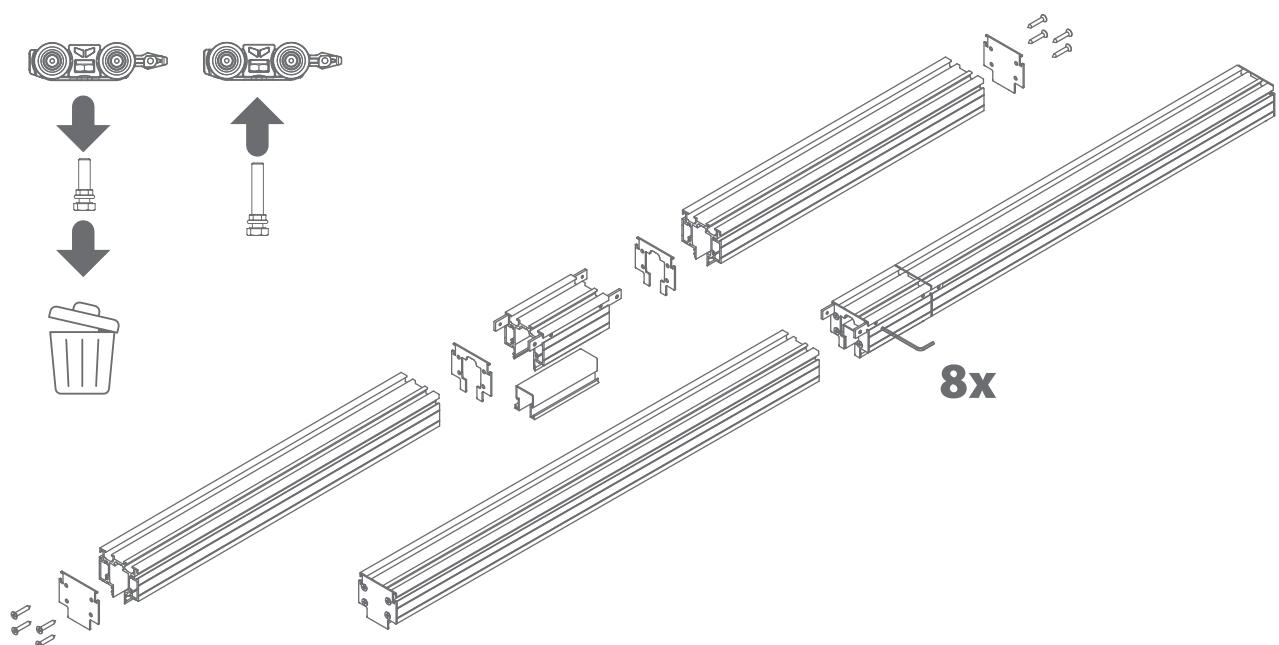
**1x**



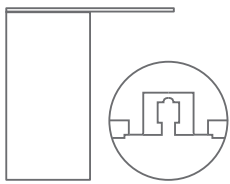
**2x**



**2x**



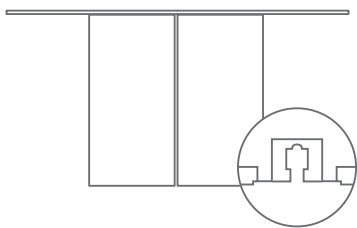
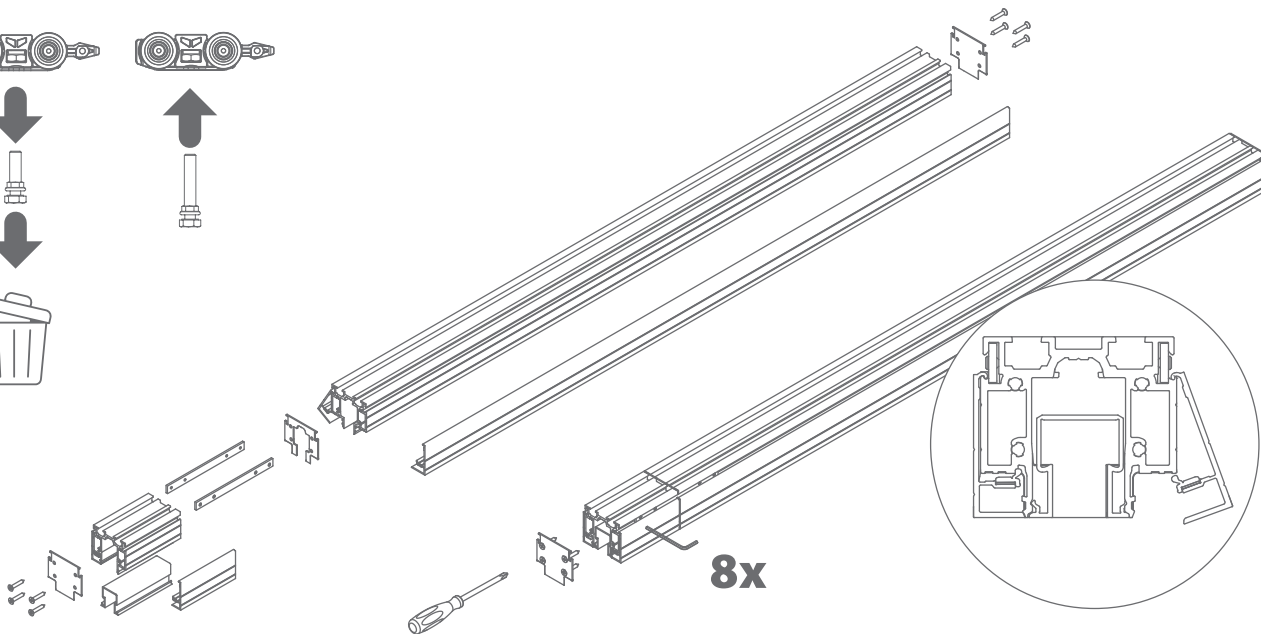
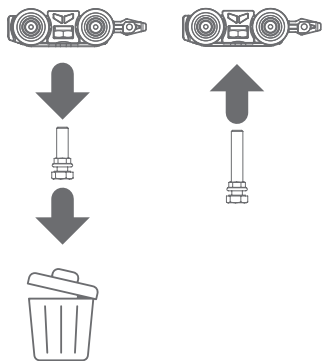
# 1D.



2x



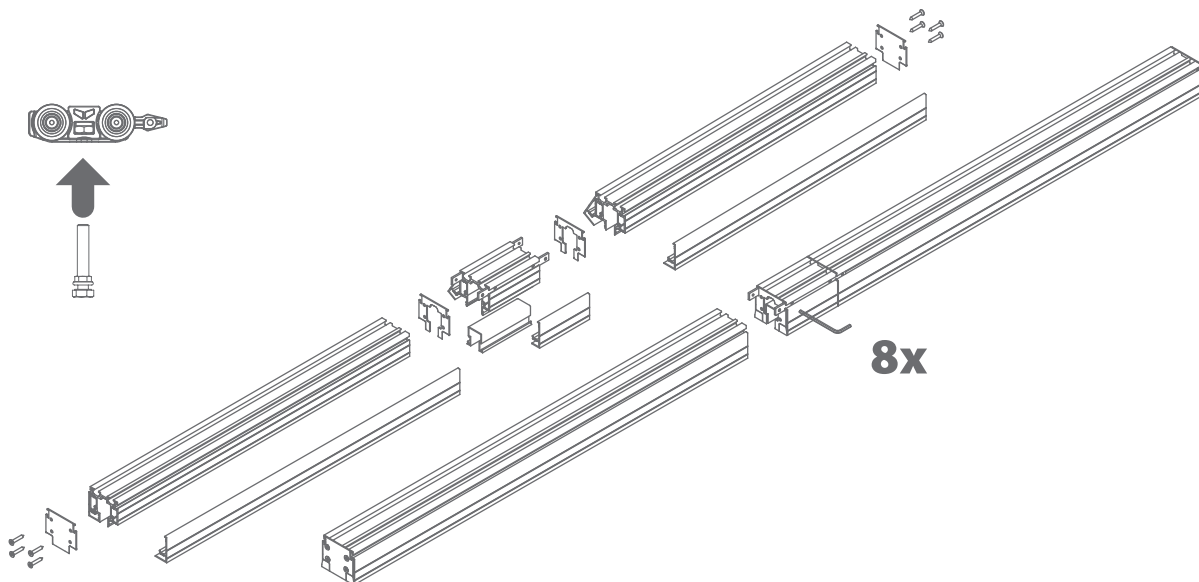
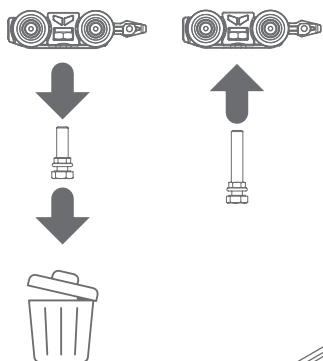
1x



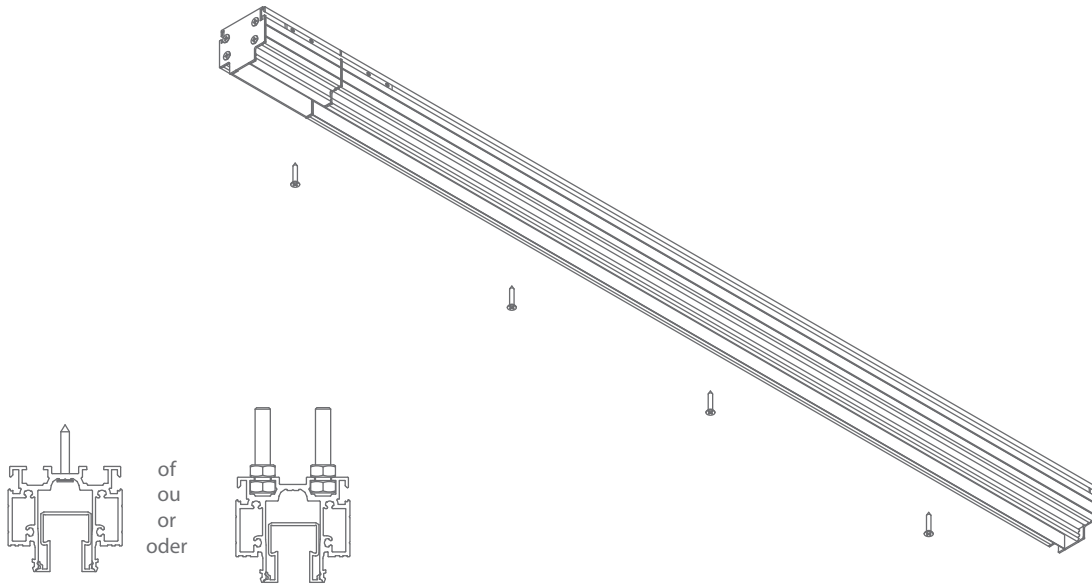
2x



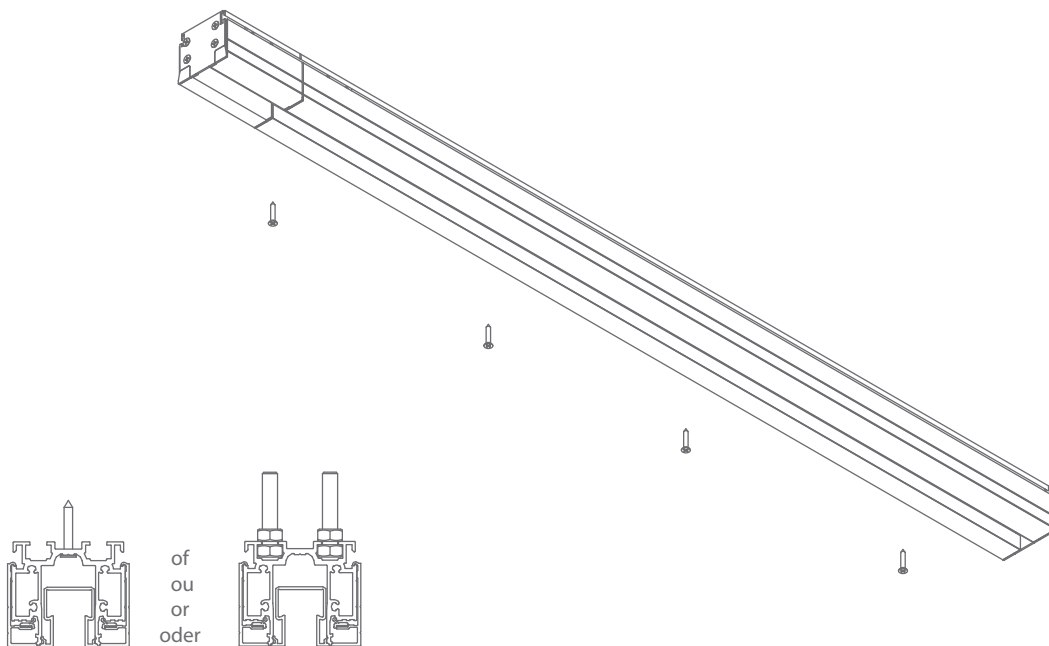
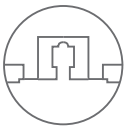
2x



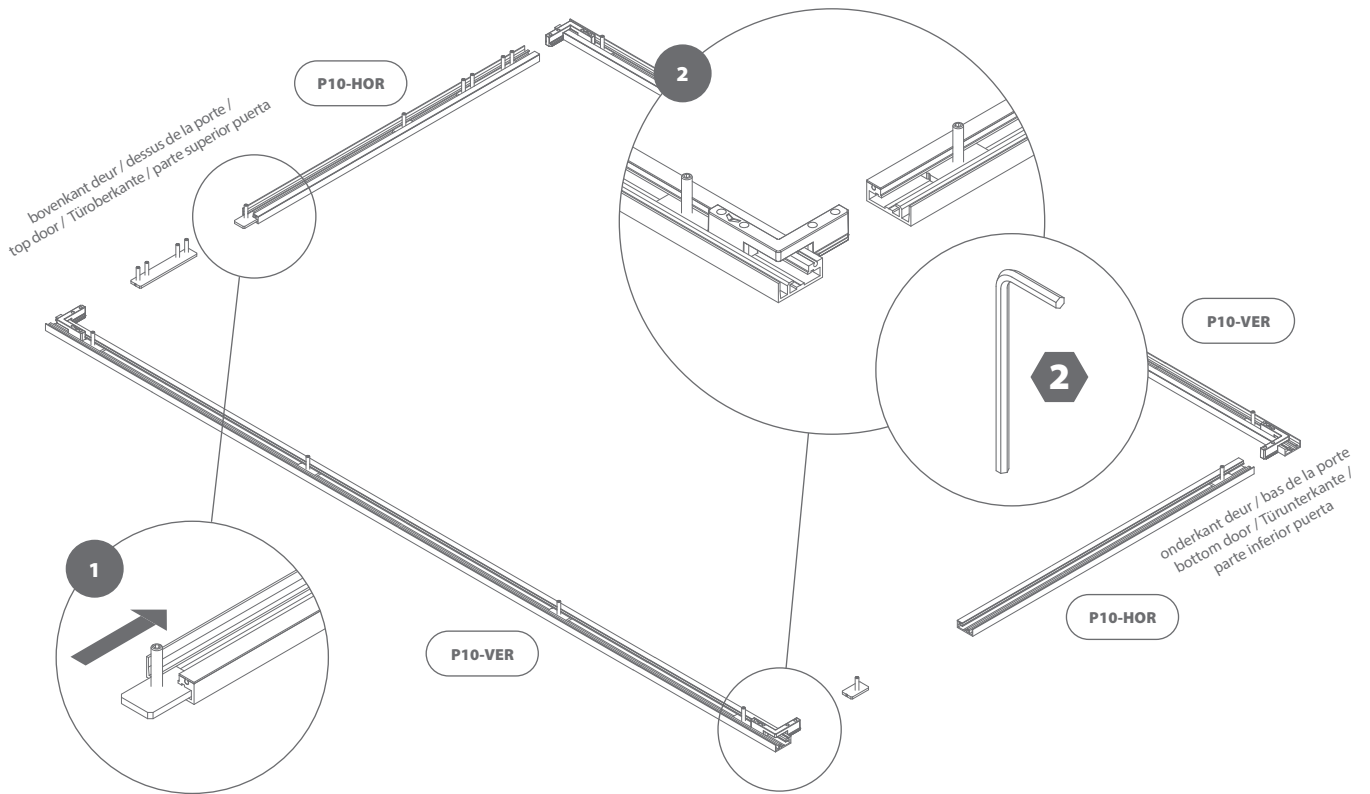
# 1C.



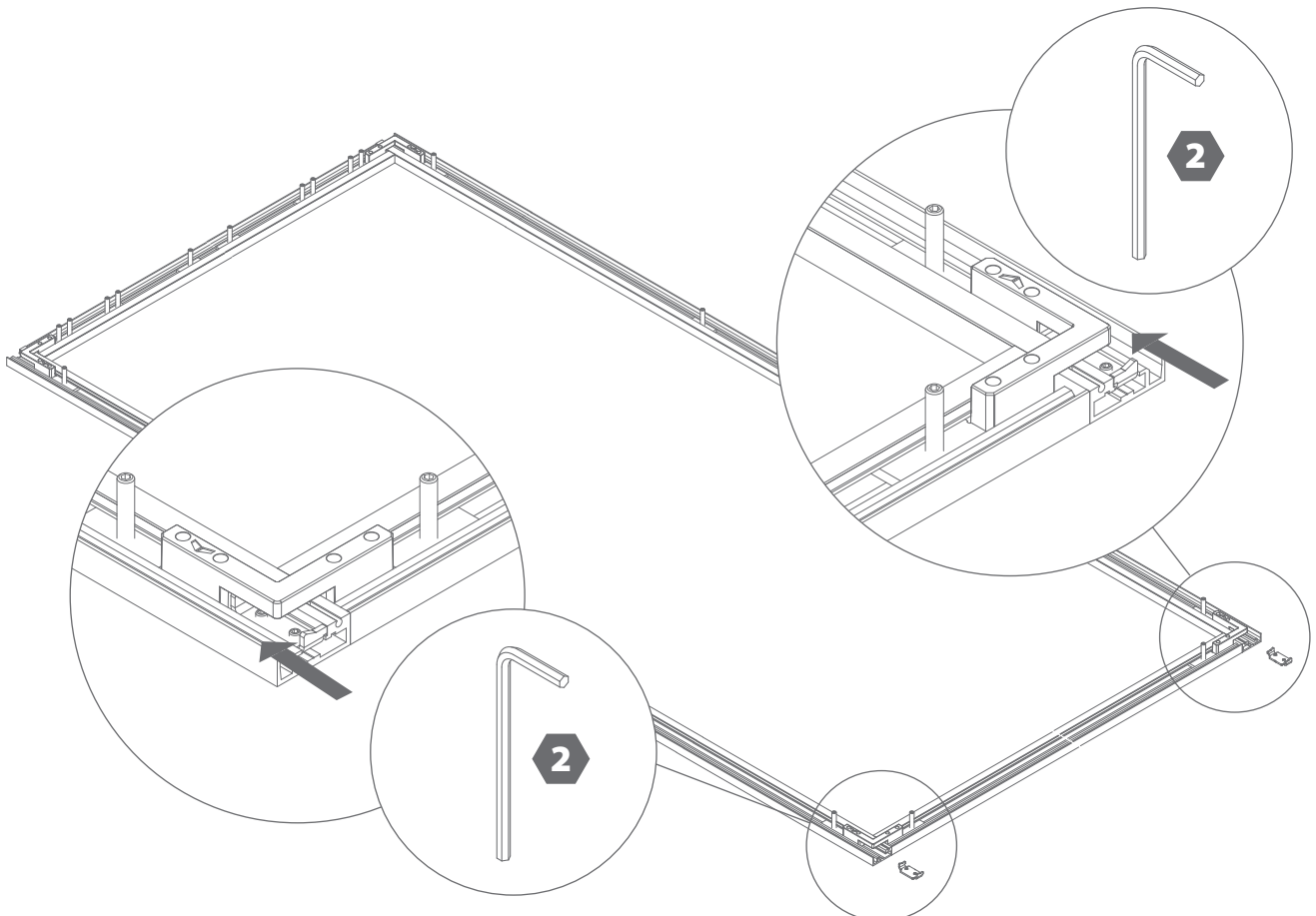
# 1D.



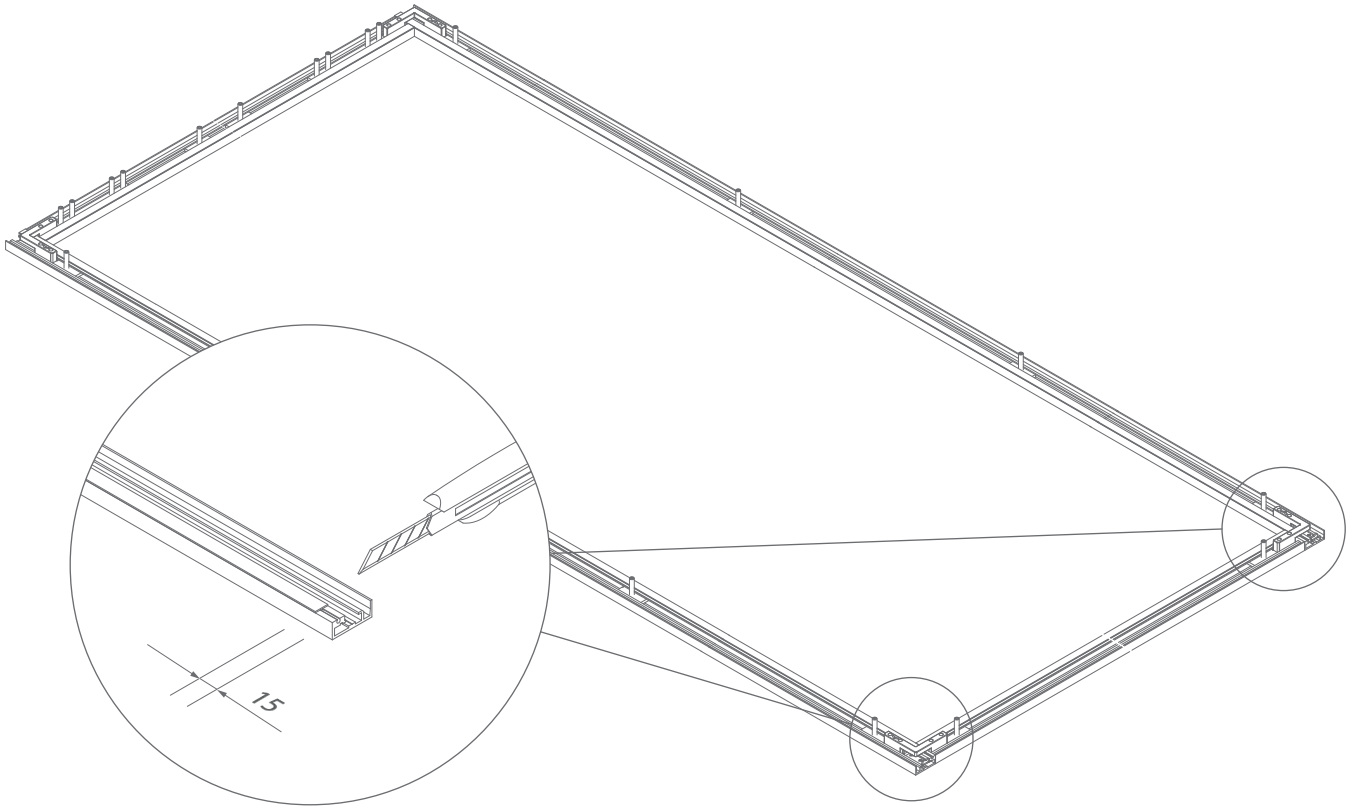
2.



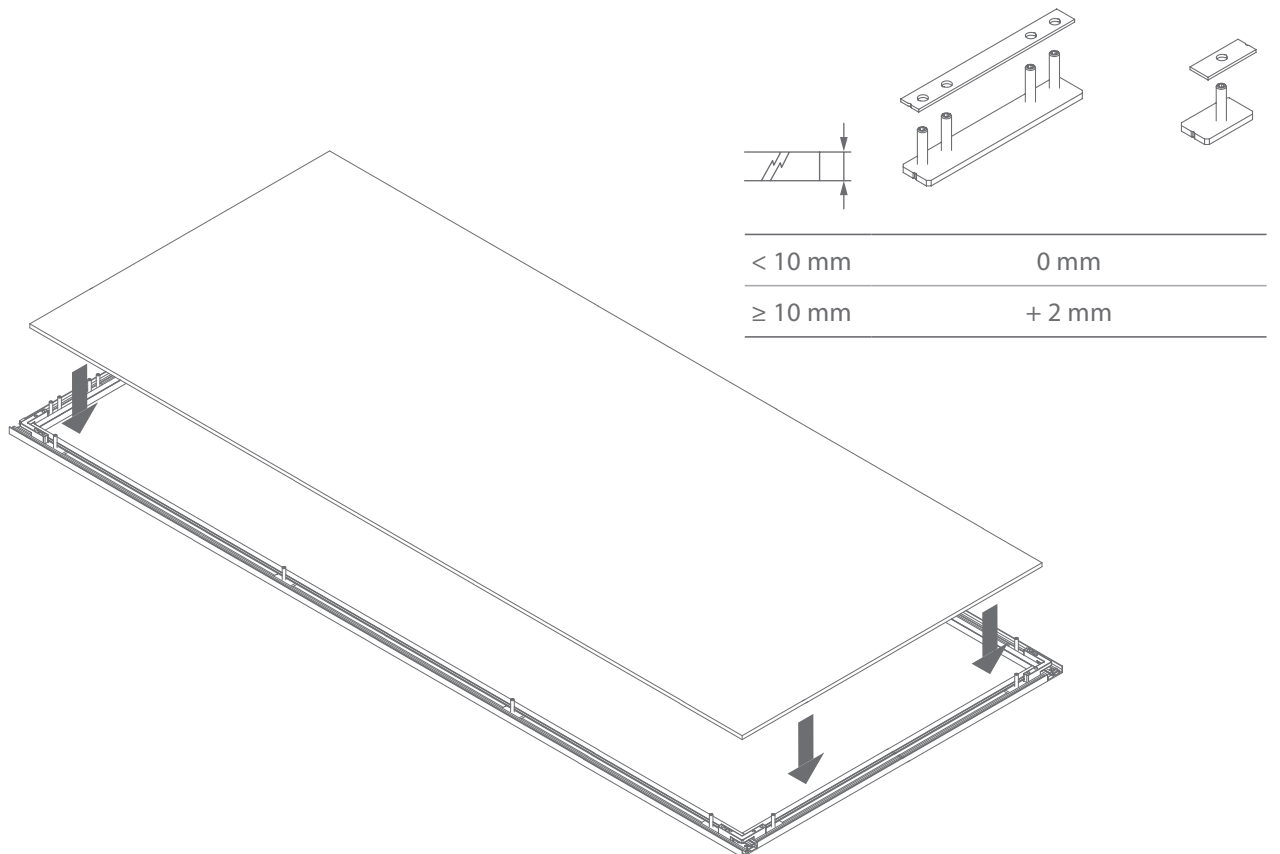
3.



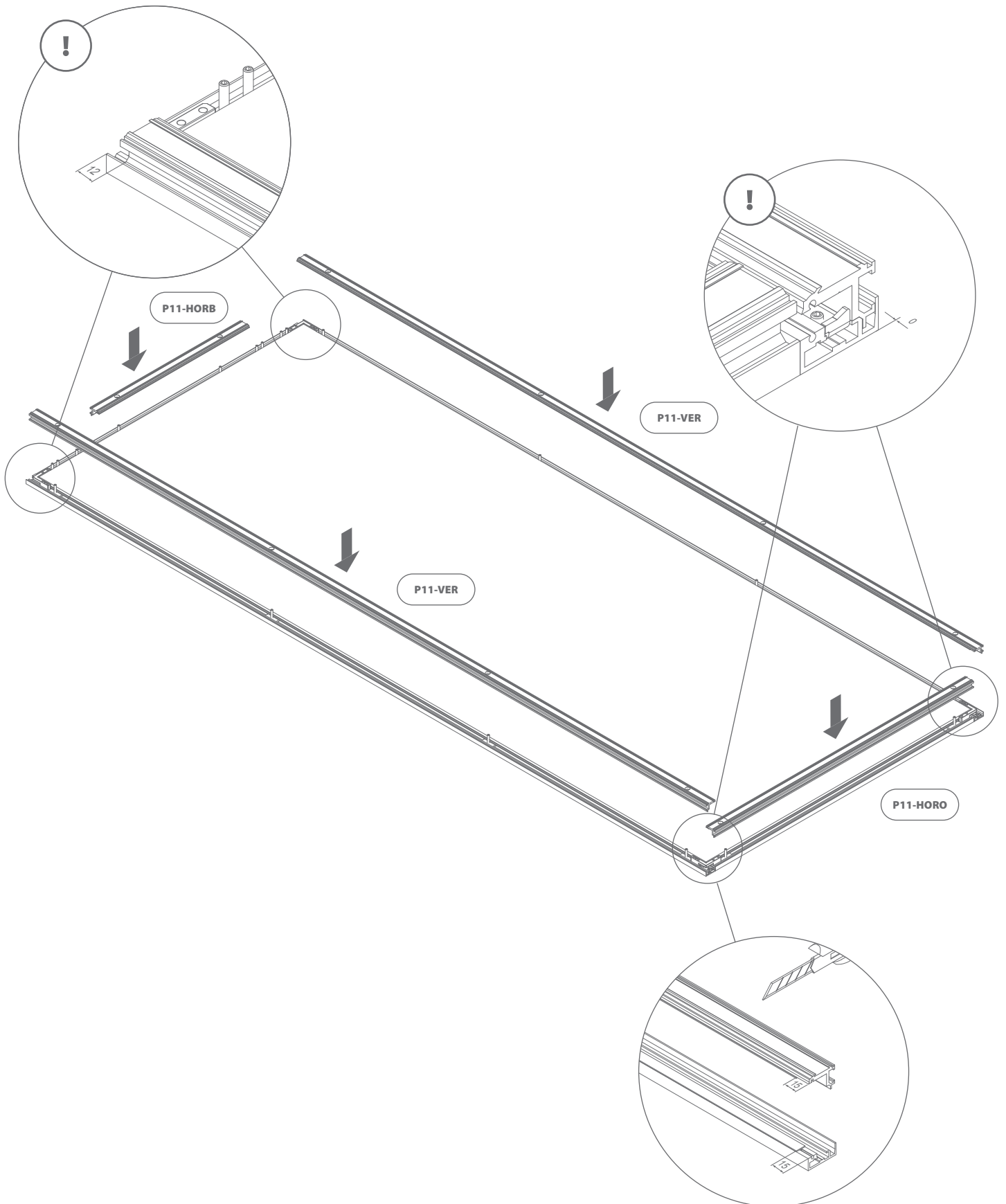
4.



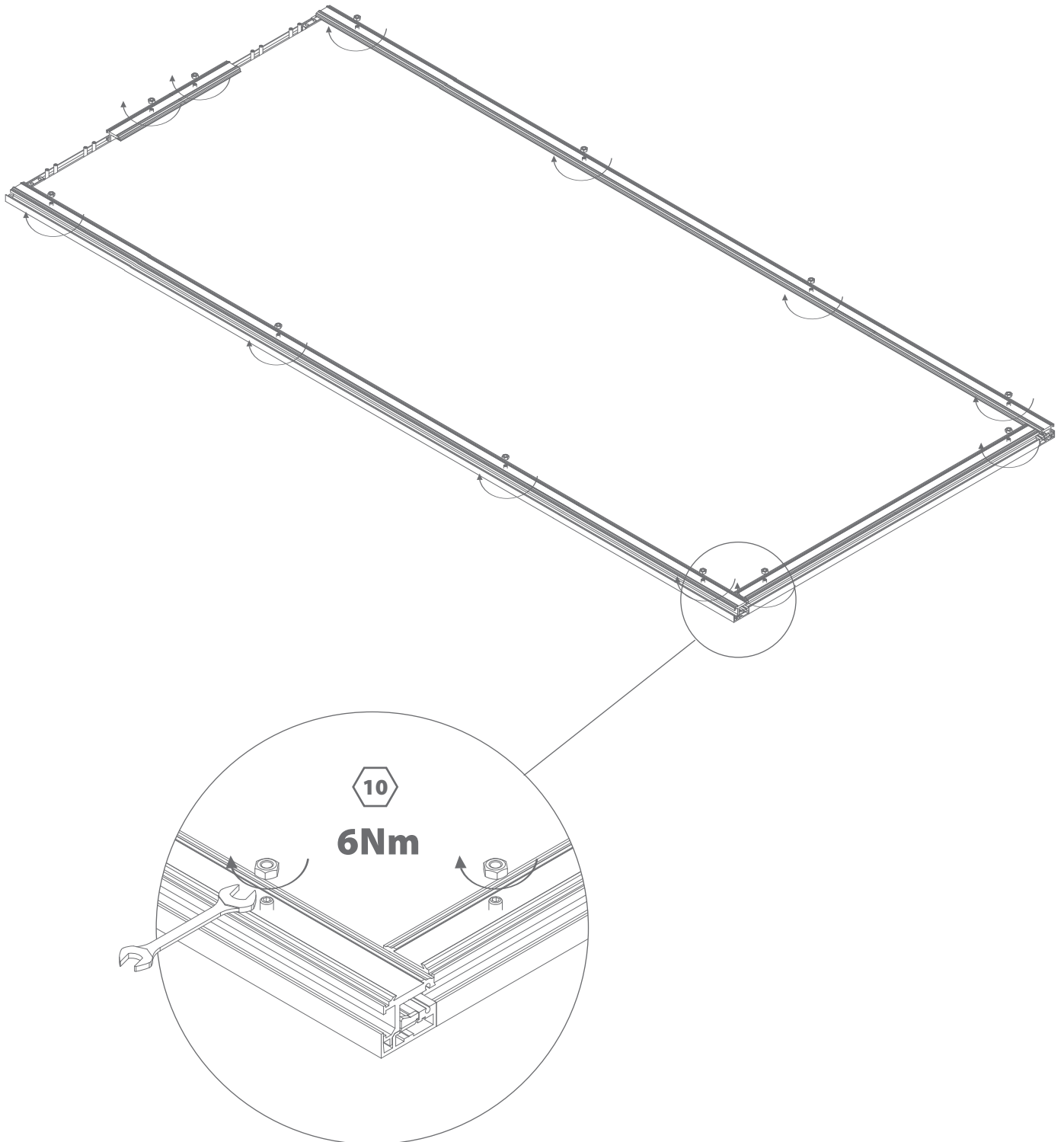
5.



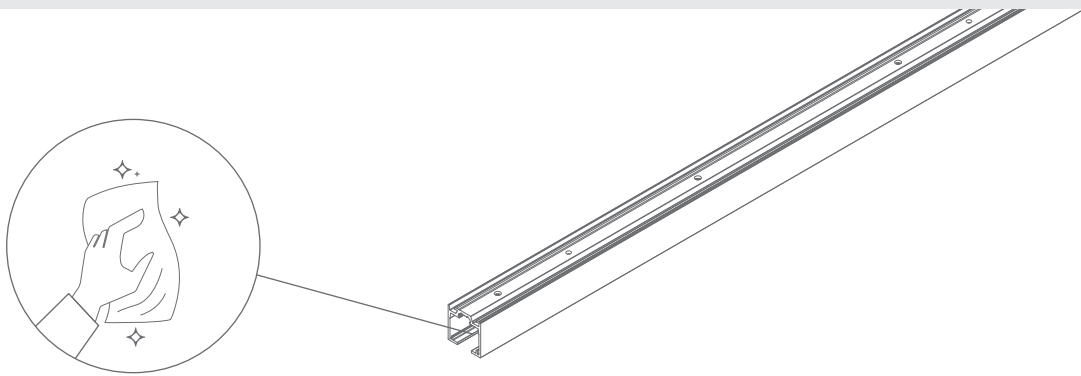
# 6.



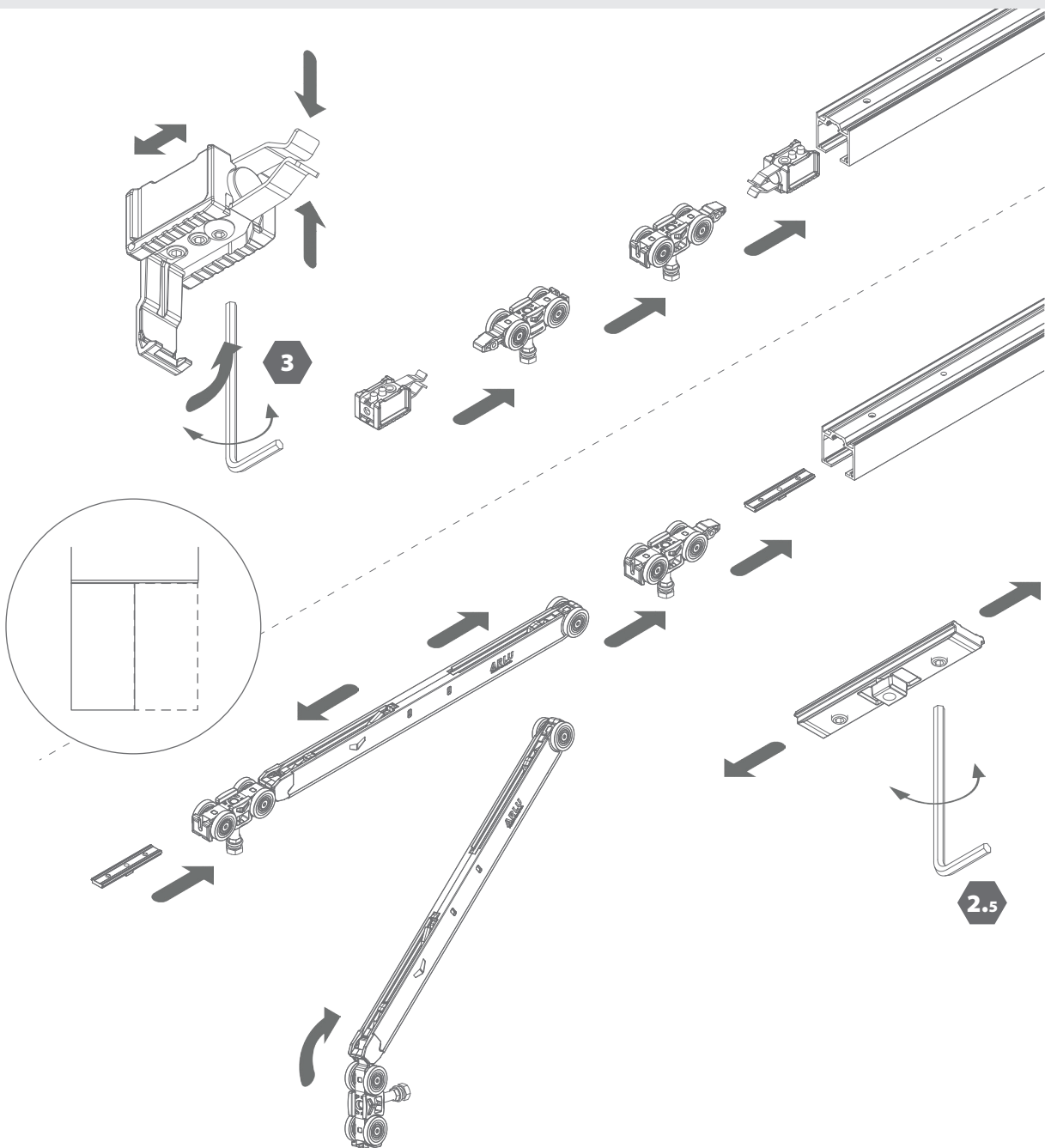
8.



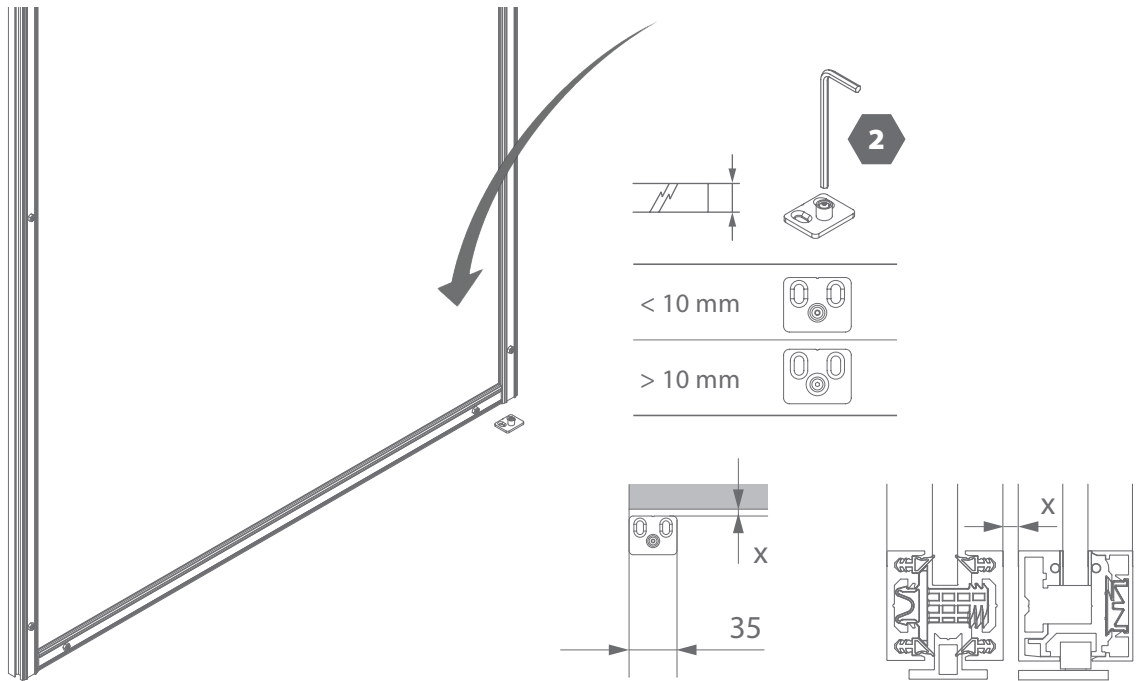
9.



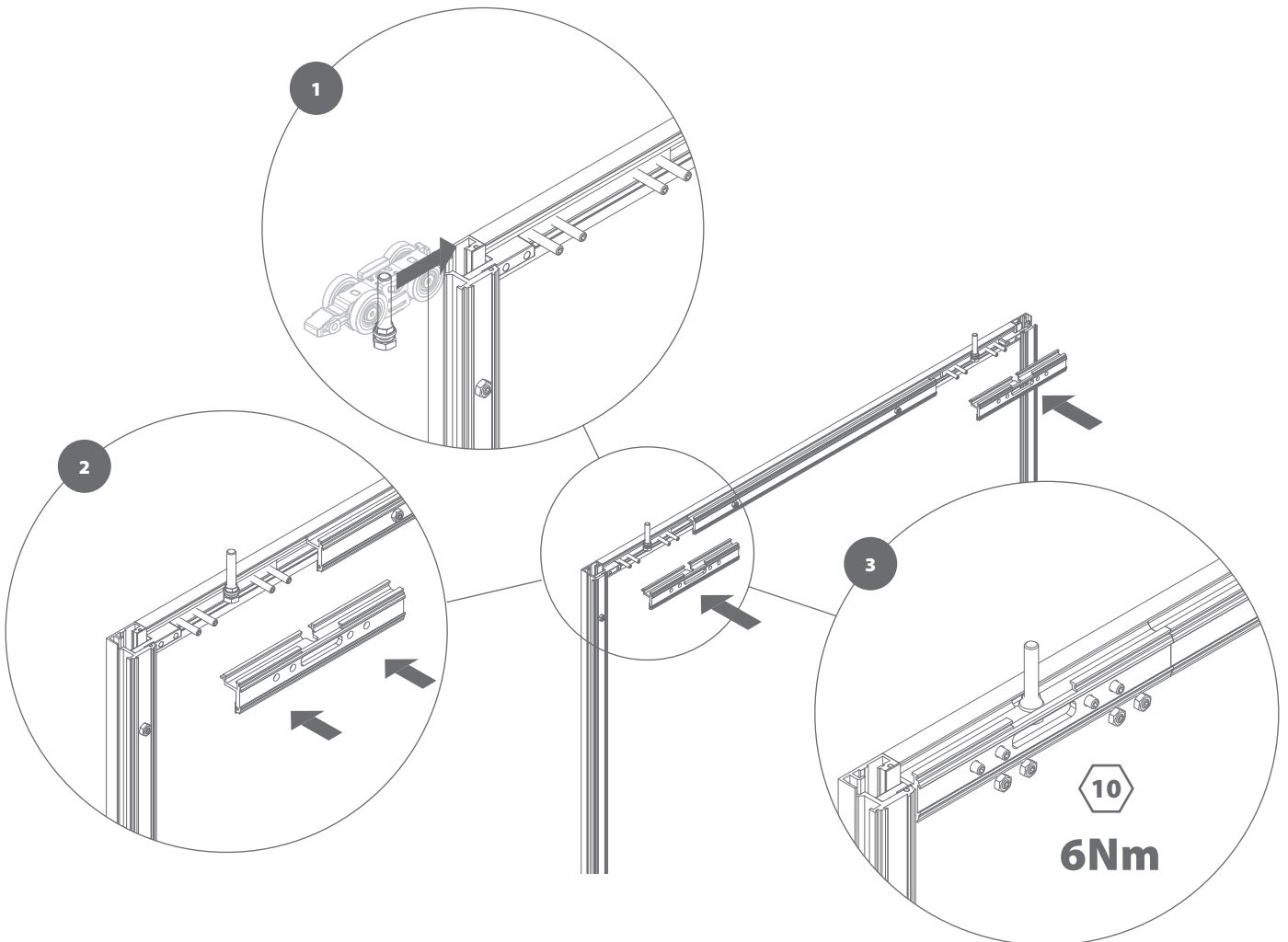
10.



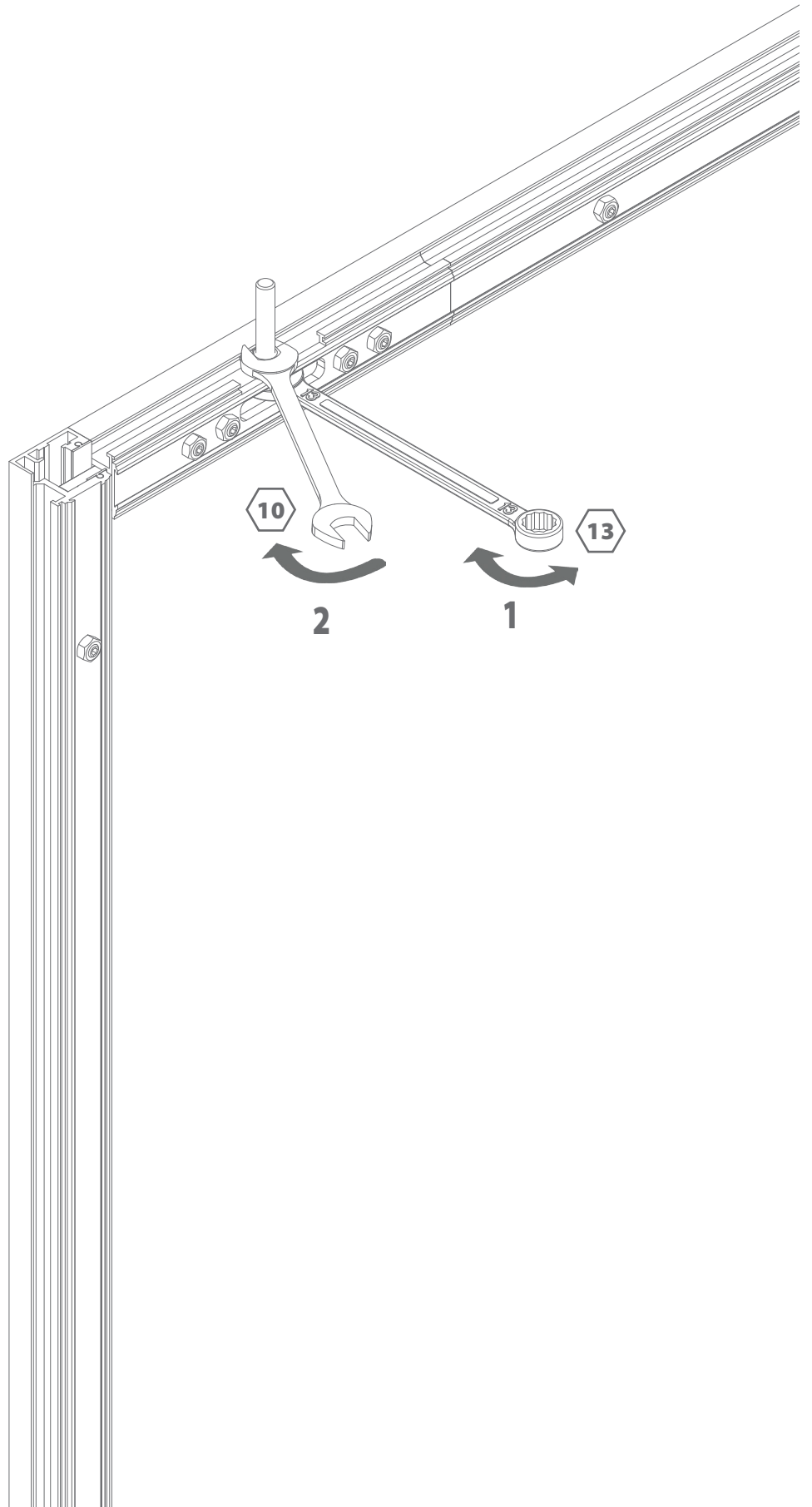
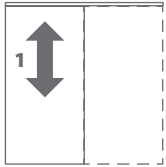
11.



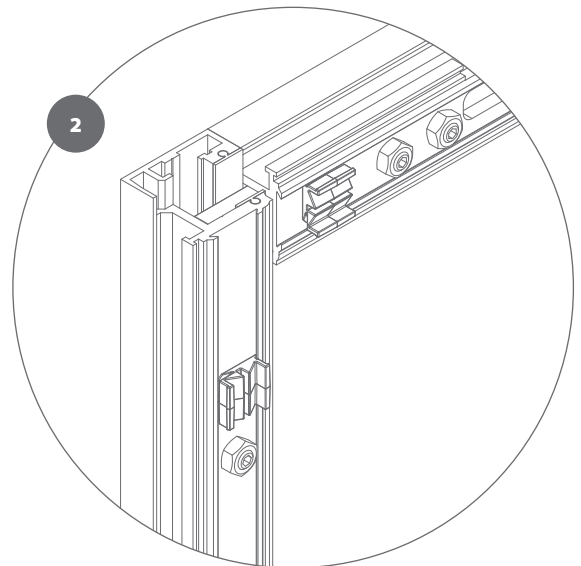
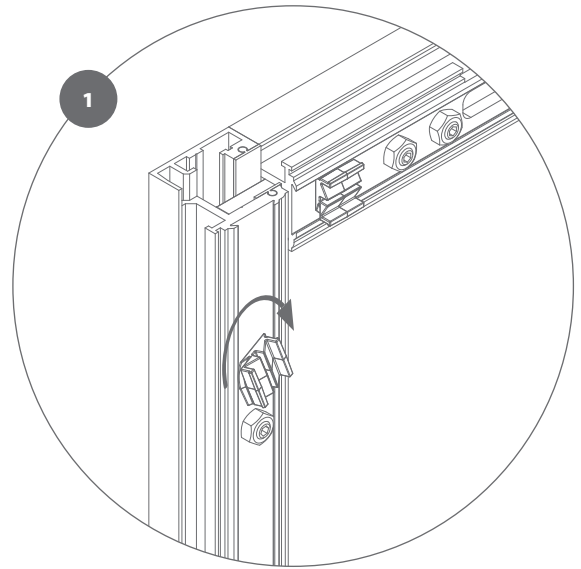
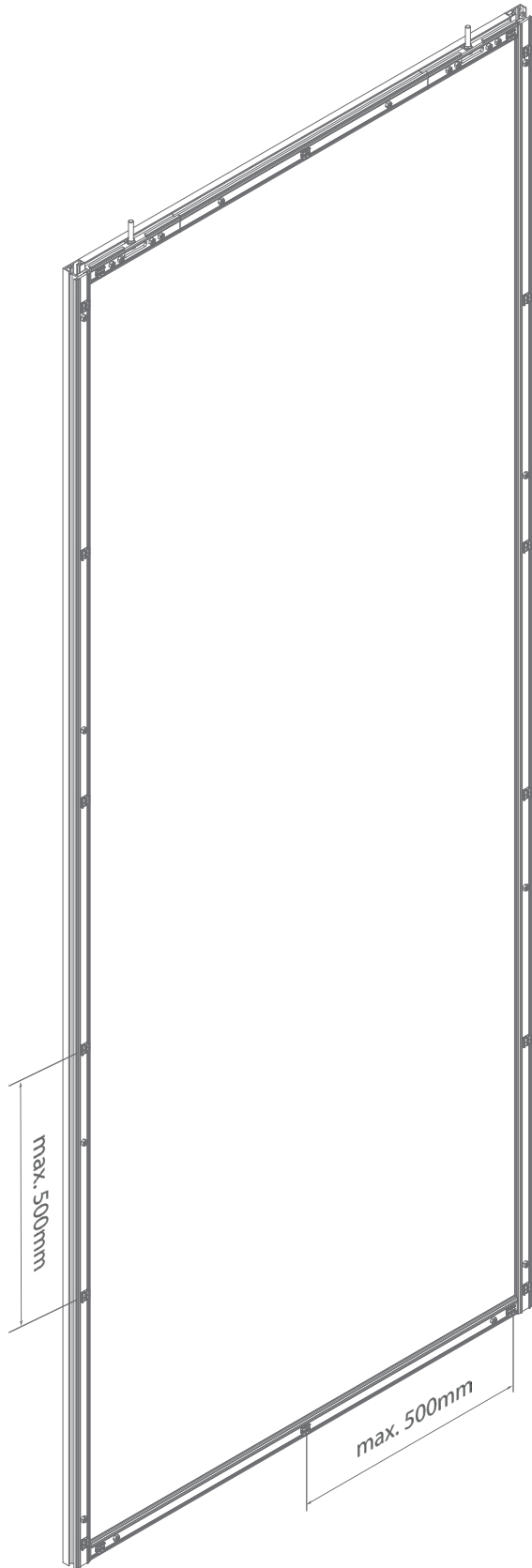
12.



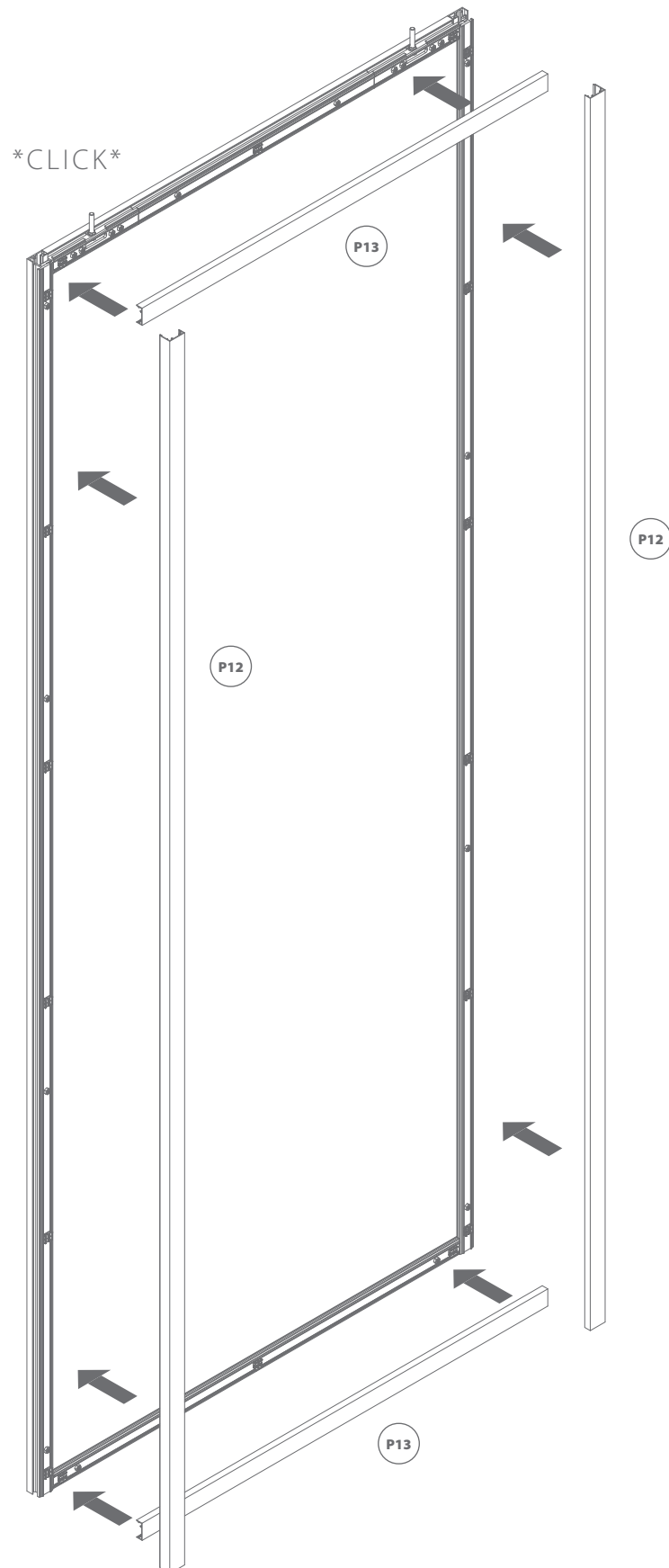
13.



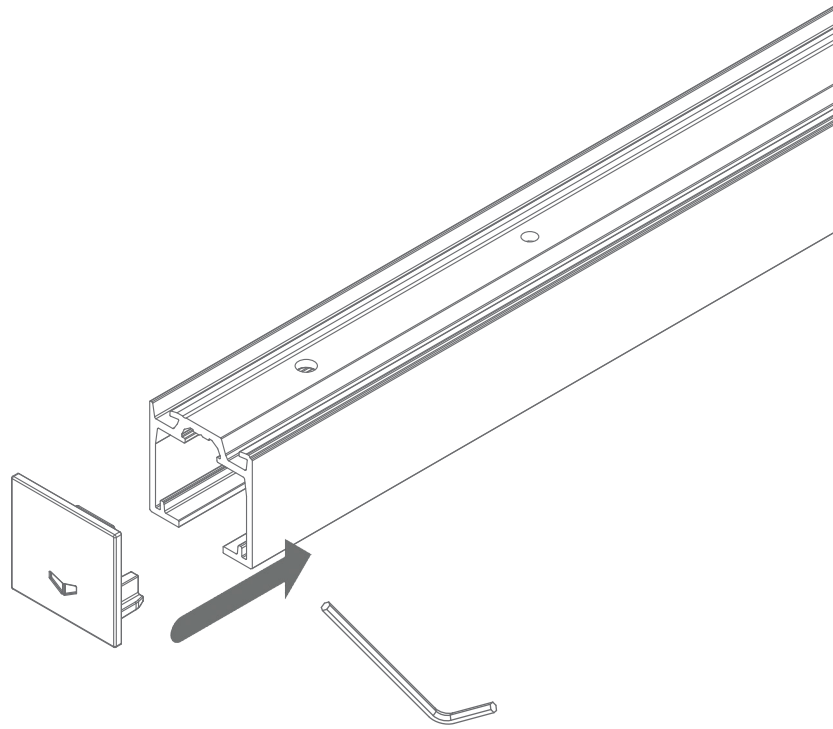
# 14.



15.



16.





VIDEO

