



**PRODUCT  
NEWS**  
*by Saheco*

# Selfclose Timber

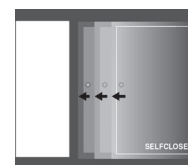
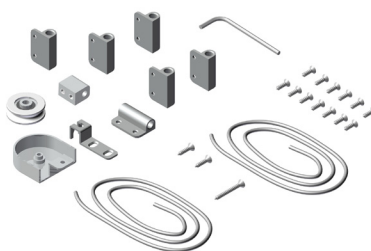
NEW

Universal self-close for sliding doors  
40 - 120 kgs

SF-**SELF-CLOSE**  
universal

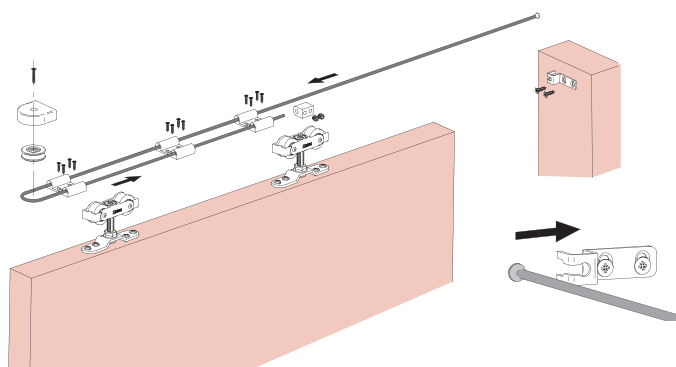


Cód. / Cód.  
00 80 90 / 00 80 95 for Boxkel/Mito



\* For Boxkel / Mito pocket door frames, Self-close set reference 00 80 95 must be used.

Installation example incorporating the SF-A81 system



**SF-Self-close is compatible with numerous Saheco system families:**

ECO IN (SF-40 | SF-75)  
CLASSIC (SF-A60 | SF-A80)  
ROLLER (SF-ROLLER sobrepuesto)  
CLASSIC L (SF-A100 | SF-A125)

**New SAHECO solution for a controlled and effective self-closing action:**

- The sliding door is held in the closed position.
- A hold open device allows the door to be held in the fully open position until the device is activated when the self-close action then smoothly draws the door into the fully closed position.
- SF-Self-close is a mechanical system utilizing elastic cables to facilitate the self-closing action. There is a choice of two cables depending on the door weight and the self-closing speed that is required.
- The self-closing mechanism guarantees a smooth and quiet closing action. In addition the use of the ancillary Saheco "Soft-Brake" device ensures the door closes against the jamb in a gentle and controlled way, increasing the level of performance and also enhancing safety, by preventing the danger of trapped fingers as the door closes.

\*Please Note – **Saheco** recommends that the SF-Self-close device is ALWAYS used together with the Saheco Soft-Brake mechanism to ensure an optimum level of performance and safety.

New - 002C



**saheco**  
*mechanisms for sliding doors*

Polígono Industrial de Foradada / 08580  
St. Quirze de Besora / Barcelona / Spain  
Export contact details  
T +34 93 852 96 15 / F +34 93 855 13 42  
export@saheco.com  
[www.saheco.com](http://www.saheco.com)