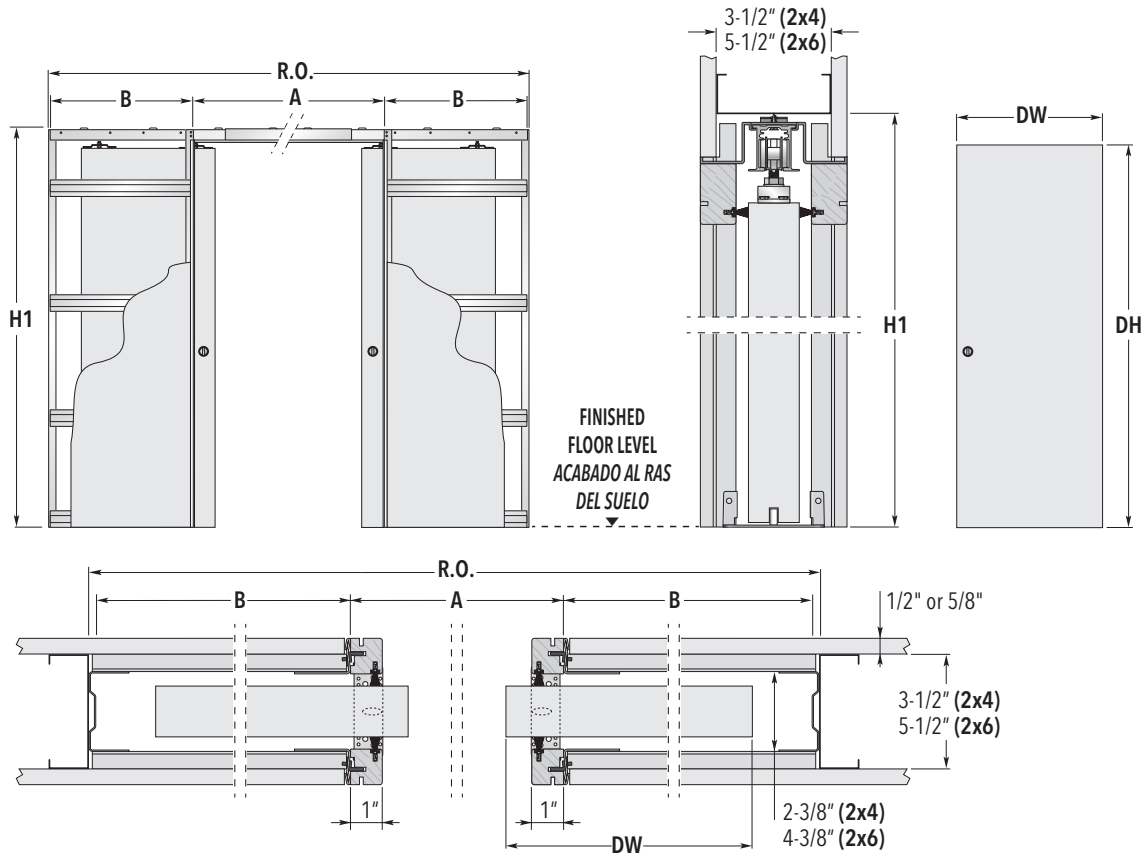


ECLISSE DOUBLE 2x4-2x6

DIMENSIONS | MEDIDA



R.O. Height is determined from Intended Finished Floor Level NOT the subfloor level.

R.O. se determina a partir del nivel previsto del suelo terminado NO del nivel del contra suelo.

DOOR PANEL PANEL PUERTA		SYSTEMS FOR DOUBLE DOORS SISTEMAS PARA DOBLE HOJA		
DW	DH	Overall Dimensions Medida Total		
		R.O. x H1 (ROUGH OPENING)	A	B
24"	80" / 84" / 96"	97" x 83" / 87" / 99"	48"	24"
28"	80" / 84" / 96"	113" x 83" / 87" / 99"	56"	28"
30"	80" / 84" / 96"	121" x 83" / 87" / 99"	60"	30"
32"	80" / 84" / 96"	129" x 83" / 87" / 99"	64"	32"
34"	80" / 84" / 96"	137" x 83" / 87" / 99"	68"	34"
36"	80" / 84" / 96"	145" x 83" / 87" / 99"	72"	36"
42"	80" / 84" / 96"	167" x 83" / 87" / 99"	82"	42"

Dimensions are given in in. | Medidas expresadas en in.

NOTE	NOTAS	ACCESSORIES ACCESORIOS
<ul style="list-style-type: none"> ▶ The frame should be installed at intended finished floor level. The pocket frames by ECLISSE can host any panel standard Book door on the market. ▶ Maximum door dimension: DW=48"+48" (72"+72" on request) DH=120" ▶ Max door thickness 1-3/4" ▶ Max door weight 220 lbs. (330 lbs. on request) ▶ To obtain a double system it requires two single frame kits and a joining kit. 	<ul style="list-style-type: none"> ▶ El contramarco debe ser instalado al correcto acabado al ras del suelo. El contramarco ECLISSE puede alojar cualquier panel puerta estándar del mercado. ▶ Dimension máxima disponible panel puerta: DW=48"+48" (72"+72" bajo pedido) DH=120" ▶ Espesor máximo del panel puerta 1-3/4" ▶ Peso máximo del panel puerta 220 lbs. (330 lbs. bajo pedido) ▶ Para obtener un modelo doble hoja es necesario utilizar dos kit Single y el accesorio Joining Kit. 	<ul style="list-style-type: none"> ▶ ECLISSE BIAS® ▶ ECLISSE BIAS® DS ▶ ECLISSE Anti Slam-HD ▶ Double Door Co-Ordination ▶ Anti-Warp Profile ▶ Joining Kit ▶ Jamb Kit ▶ Luce Kit (2x6 wall frame kits only)