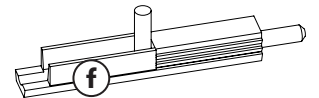
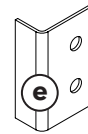
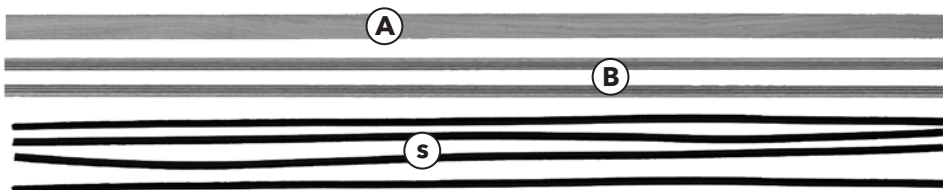
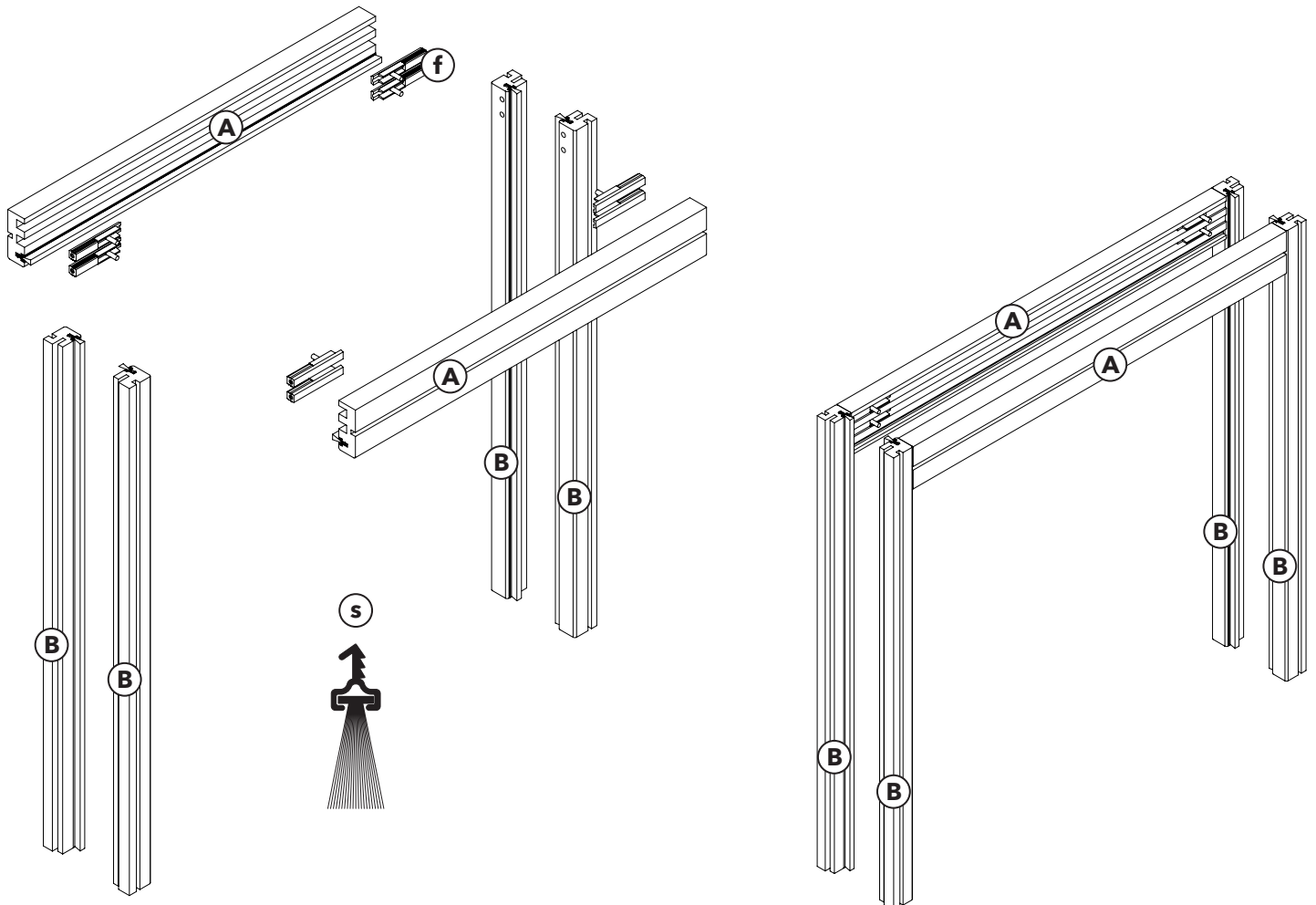


JAMB KIT INSTALLATION - DOUBLE DOOR

KIT CONTENTS

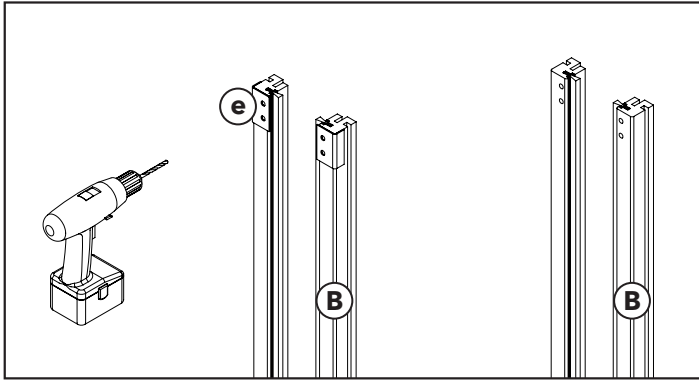


- (A)** Jamb Headers
- (B)** Split Jambs (4 pcs)
- (e)** Metal Bracket (1 pcs)
- (f)** Bolt (8 pcs)
- (s)** Brushes (4 pcs)



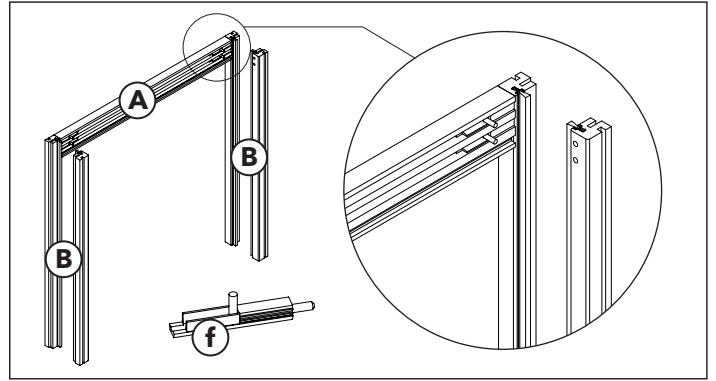
Note: Brushes **(s)** not to be used if you're using 1-3/4" thick door.

JAMB KIT INSTALLATION - DOUBLE DOOR



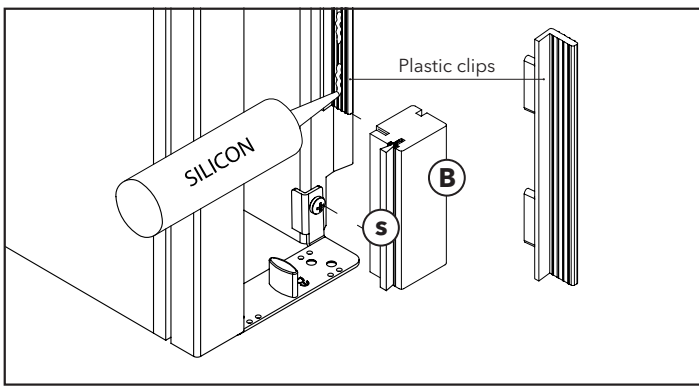
Step 1

Position the metal brackets (**e**) as indicated on the drawing and drill the split jamb (**B**). Use a 4 mm bit.



Step 4

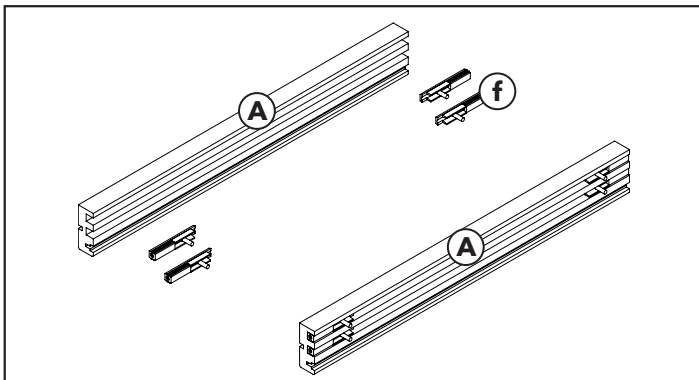
Attach the jamb header (**A**) with bolts (**f**) to split jambs (**B**) using the metal brackets (**e**).



Step 2

Cut the split jambs (**B**) to the size of the system purchased.

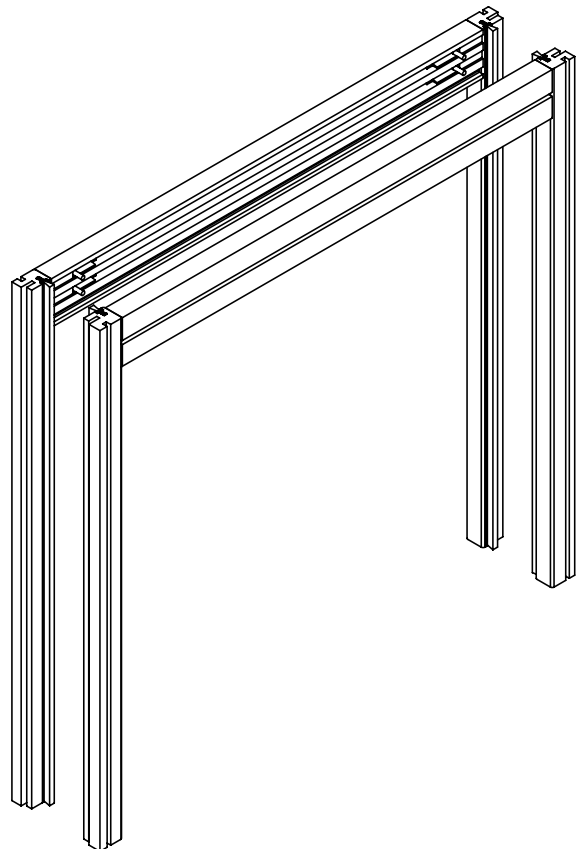
Note: This should only be done once finished flooring has been installed.



Step 3

Cut the jamb headers (**A**) into two lengths equal to the space remaining between the split jambs (**B**).

Insert the bolts (**f**) (4 pcs on each header piece).



EURO ARCHITECTURAL, LLC
700 West 190TH ST. GARDENA, CA 90248
info@euro-arch.com - www.eclisse.us
Toll Free: 1 800 614 1474



03/2020 © ECLISSE, all rights reserved. The use, filing and total or partial reproduction, using any mechanical or electronic means, of texts, drawings and pictures contained in this publication is strictly prohibited, unless specifically approved in writing by ECLISSE.
603044200